

PROJECT: \_\_\_\_\_  
 CATALOG #: \_\_\_\_\_  
 FIXTURE TYPE: \_\_\_\_\_  
 NOTES: \_\_\_\_\_

## WMC Wall Pack Medium Contractor Series



The *Wall Pack Medium Contractor Series Gen 1* offers maximum light output for general purpose area and security lighting in a classic design. The luminaire efficiently delivers lumens and consumes less energy than traditional wall mount technologies.

### APPLICATIONS

Security Lighting, Perimeter Lighting, Building Entrances, Walkways, etc.

### REPLACEMENT

100W - 250W MH



### PERFORMANCE INFORMATION

SERIES NUMBER	WATT	LUMENS	CCT
WMC 35 G1 5K	30W	3,600	5000K
WMC 105 G1 5K	90W	10,500	5000K
WMC 145 G1 5K	125W	14,500	5000K

### OPTIONS



PC UNV B3



EL UNV-8W

ORDERING GUIDE							EXAMPLE: WMC 50 G1 5K
Luminaire Type	Lumen Output	Generation	Voltage	CCT	Finish	Options	
<b>WMC</b> Medium Wall Pack Contractor Series	<b>35*</b> 3,600 Lumens <b>105*</b> 10,500 Lumens <b>145</b> 14,500 Lumens	<b>G1</b>	<b>BLANK=</b> 120-277V	<b>4K</b> 4000K <b>5K</b> 5000K	<b>BLANK=</b> Dark Bronze <b>C=Custom**</b>	<b>BLANK=</b> No Option <b>PC UNV B3=</b> Button Photocell <b>EL UNV-8W-AIO=</b> Emergency Backup Kit for 30W/40W/65W <b>EL UNV-8W=</b> Emergency Backup Kit for 90W	

\*Only available in 5000K CCT.

\*\* For a custom color, please call to place your order

Due to continuous product improvements, specification and/or equipment updates may change without notice.

## SPECIFICATIONS

### HOUSING

Die-cast aluminum housing and back-housing.

### AMBIENT TEMPERATURE

Suitable for use in -40°C to +40°C (-40°F to 104°F)

### MOUNTING

Mounting options include J-Box mounting and Wall mounting, wiring made-up before the lens and front housing.

### EFFICACY

Up to 128 lumens per watt (see individual wattage data)

### CCT AND CRI

4000K and 5000K CCT available; 70CRI

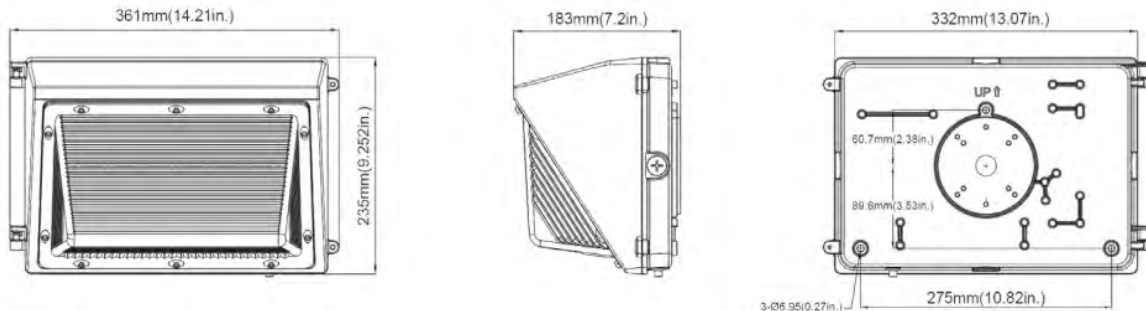
### OPTICS

Polycarbonate optical lens with UV stabilizers.

### WARRANTY

5-year limited warranty. Comprehensive warranty terms can be located on [www.slgus.com](http://www.slgus.com).

### DIMENSIONS



Weight  
30W: 6.5 LB

### ELECTRICAL LOAD

Series Number	Wattage	Current (A)			
		120V	208V	240V	277V
WMC 35 G1 5K	30W	0.25	0.14	0.13	0.11
WMC 105 G1 5K	90W	0.75	0.43	0.38	0.32
WMC 145 G1 5K	125W	1.04	0.60	0.52	0.45

Due to continuous product improvements, specification and/or equipment updates may change without notice.