

PROJECT: _____

CATALOG #: _____

FIXTURE TYPE: _____

NOTES: _____

WFC

LED Full Cutoff Wall Pack - Contractor Series
Field Adjustable Lumen/CCT



WFC
LED Full Cutoff Wall Pack

OVERVIEW

The **WFC** is a contractor series, selectable LED full cut-off wall pack - featuring 4 selectable lumen outputs and 3 selectable CCT color outputs. The housing footprint is the same as a traditional HID wall pack and features separate heat-sink fins just for the LED module. This SKU saving luminaire is easy to install, budget friendly, and includes a preinstalled low-voltage photocell.

FEATURES

HOUSING

Two-piece die-cast aluminum housing secures the thermally conductive LED panel and electrical chamber. Separate heat-sink fins for LED module for increased performance life time.

AMBIENT TEMPERATURE

Suitable for use in -40 C to 40 C (-40°F - +104°F)

MOUNTING

Can be mounted directly over a standard electrical junction box

LUMEN OUTPUT

Lumen packages ranging from 4,000 to 9,800 lumens.

CCT AND CRI

Selectable 3000K/4000K/5000K CCT.

OPTICS

Anti-UV prismatic translucent lens designed to shape the light distribution and uniformity

WARRANTY

5-year limited warranty. Complete warranty terms can be located online.

ELECTRICAL

Standard Input Voltage 120V-277V with 1-10V dimming. Optional 8 W Emergency Driver available

CERTIFICATIONS

UL listed. DesignLights Consortium® (DLC) Premium 5.1 qualified product.

Catalog Number	Description	Lumens	Watts	CCT	Voltage
WFC LS1 G1 FSK	LED Full Cutoff Wall Pack	Selectable 4,000 - 9,800 Lm	Selectable 23 - 65 W	Selectable 3000K - 5000K	120V - 277V

WFC ORDERING GUIDE

Luminaire	Lumen Output	Gen	Voltage	CCT	Finish
WFC Wall Pack Full Cutoff - Contractor	LS1 4000 Lm / 23W 5700 Lm / 35W 7800 Lm / 49W 9800 Lm / 65W	G1 Gen1	BLANK 120-277V	FSK Selectable 3000K/ 4000K/ 5000K	BLANK Dark Bronze

+ Accessories

Accessories (pre-installed)
EL UNV-8W AIO EL-UNV-8W All-in-one for NIS driver

EMERGENCY BACKUP & PHOTOCELL



EL UNV-8W AIO

EL-UNV-8W All-in-one for NIS driver



LOW-VOLTAGE PC

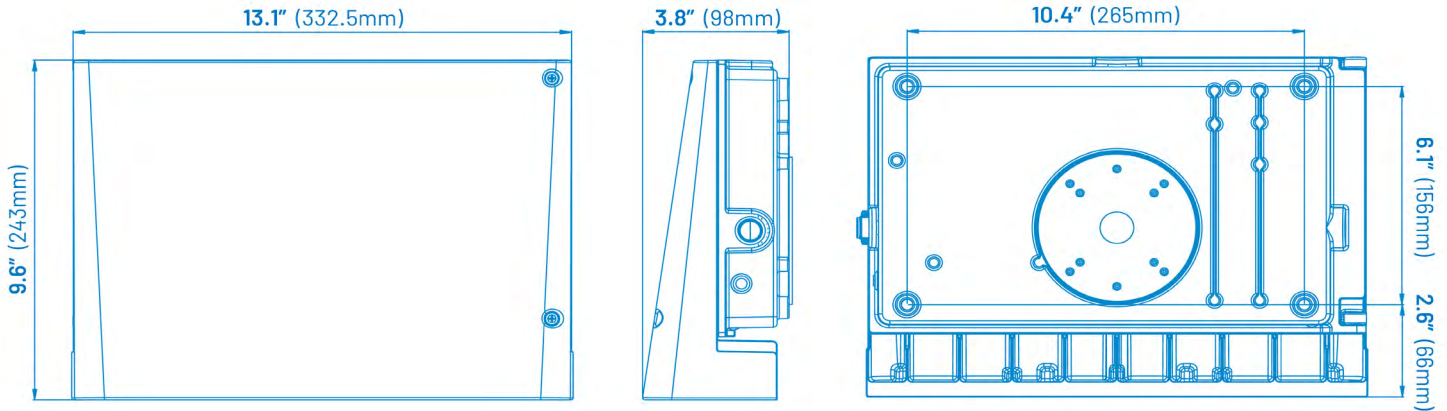
Pre-installed, low-voltage photocell. Direct to driver photocell. Ships with a cap to cover if photocell is not needed.

PERFORMANCE DATA

PRODUCT NUMBER	WATT	VOLTAGE	5000K	MAX. EFFICACY
			LUMEN	
WFC LS1 G1 FSK	23W	120-277V	4043	176
	35W	120-277V	5783	165
	49W	120-277V	7873	160
	65W	120-277V	9817	151
REPLACES	HID 175W - 250W - 400W			

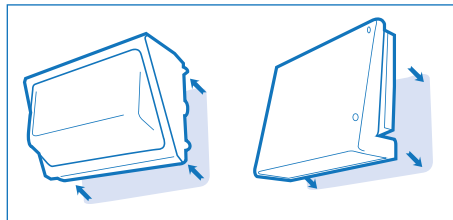
DIMENSIONS

WFC Weight: 5.09 lbs (out of box)



HID Wall pack

WFC

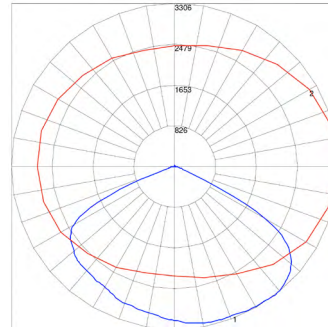


The WFC covers the same footprint as a typical HID wallpack.

ELECTRICAL LOAD

Product Number	Wattage	Current (A)			
		120V	208V	240V	277V
WFC LS1 G1 FSK	23W	0.19	0.11	0.10	0.08
	35W	0.29	0.17	0.15	0.13
	49W	0.41	0.24	0.20	0.18
	65W	0.54	0.31	0.27	0.23

PHOTOMETRIC



Maximum Candela = 3305.91 Located At Horizontal Angle = 0, Vertical Angle = 38
 # 1 - Vertical Plane Through Horizontal Angle (0 - 180) (Through Max. Cd.)
 # 2 - Horizontal Cone Through Vertical Angle (38) (Through Max. Cd.)

WFC LS1 G1 FSK
 Lumen setting (MAX - 9800 LM)
 CCT setting 4000K Wattage (65W)

ZONAL LUMEN SUMMARY

ZONE	LUMENS	%LAMP	%FIXT
0-20	1184.17	11.40	11.40
0-30	2523.05	24.60	24.60
0-40	4258.19	41.60	41.60
0-60	8163.05	79.70	79.70
0-80	10096.44	98.60	98.60
0-90	10174.67	99.30	99.30
10-90	9877.12	96.40	96.40
20-90	3094.02	30.20	30.20
20-50	5054.02	49.30	49.30
40-70	5318.81	51.90	51.90
60-80	1933.39	18.90	18.90
70-80	519.44	5.10	5.10
80-90	78.23	0.80	0.80
90-110	11.87	0.10	0.10
90-120	20.65	0.20	0.20
90-130	31.12	0.30	0.30
90-150	52.33	0.50	0.50
90-180	67.61	0.70	0.70
110-180	55.74	0.50	0.50
0-180	10242.28	100.00	100.00

SHIPPING INFORMATION



Product number	Individual box size	Individual box weight	# per carton	Carton box size	Carton box weight
WFC LS1 G1 FSK	14" x 10.5" x 4"	5.5 lbs	6	21.7" x 14.6" x 12.8"	34.9 lbs

*Box render is for example purposes only.