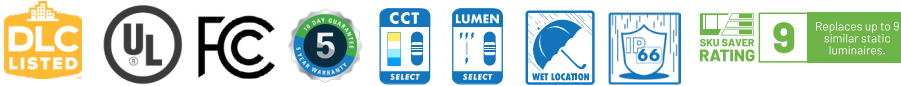


VTS G1

LED Vapor Tight Gen 1 **CONTRACTOR XP**

Due to continuous product improvements, specification and/or equipment updates may change without notice.



VTS 4 LS1 G1 FSK - 4 ft

2 Piece housing - Designed to save on installation time and prevent damage

The **VTS G1 Selectable Vapor Tight Strip Light** is a contractor experience LED vapor tight strip light available in 4' and 8' lengths. **Future-proof** your investment in lighting with our selectable power and CCT Vapor Tight Strip Lights, fast and easy **2 piece housing design** prevents damage and saves on installation time. IP 65 rated and UL 94-5VA flame classification suitable for a wide range of environments.

(Images are shown for illustration purposes only)

Catalog Number	Description	Lumens	Watts	CCT	Voltage
VTS 2 LS1 G1 FSK	LED Vapor Tight Selectable Strip - 2 Foot- First Generation - UL94-5VA housing	Selectable 1,950 - 3,250	Selectable 15 - 25 W	Selectable 3500K - 5000K	120V - 277V
VTS 4 LS1 G1 FSK	LED Vapor Tight Selectable Strip - 4 Foot- First Generation - UL94-5VA housing	Selectable 4,000 - 5,900 Lm	Selectable 30 - 45 W	Selectable 3500K - 5000K	120V - 277V
VTS 8 LS1 G1 FSK	LED Vapor Tight Selectable Strip - 8 Foot - First Generation - UL94-5VA housing	Selectable 8,200 - 12,000 Lm	Selectable 60 - 90 W	Selectable 3500K - 5000K	120V - 277V

ORDERING GUIDE

Example: **VTS 4 LS1 G1 FSK**

Fixture Type	Size	Selectable Lumen Output	Generation	Voltage	Selectable CCT	Finish	Accessories
• VTS LED Vapor Tight Strip	• 2 2'	• LS1 1,950 Lm / 15 W 2,600 Lm / 20 W 3,250 Lm / 45 W	• G1 First Generation	• BLANK 120-277 V	• FSK 3500K 4000K 5000K	• BLANK White	<ul style="list-style-type: none"> • EMD-SH08D-UNV-056 - 8W Emergency Backup • MS-ACE-01 - Motion Sensor • MSB-20-L3 - 2" fitting, 8-20ft mounting height. • MSB-20-L7 - 2" fitting, 20-40ft mounting height.
	• 4 4'	• LS1 4,000 Lm / 30 W 5,100 Lm / 38 W 5,900 Lm / 45 W					
	• 8 8'	• LS2 8,200 Lm / 60 W 10,000 Lm / 75 W 12,000 Lm / 90 W					

VTS G1



Performance Information

Series Number	Wattage	3500K		4000K		5000K	
		Lumens	Efficacy	Lumens	Efficacy	Lumens	Efficacy
VTS 2 LS1 G1 FSK	15 W	1,900 Lm	126 Lm/W	1,950 Lm	130 Lm/W	1,920 Lm	128 Lm/W
	20 W	2,460 Lm	123 Lm/W	2,600 Lm	130 Lm/W	2,540 Lm	127 Lm/W
	25 W	3,200 Lm	128 Lm/W	3,250 Lm	130 Lm/W	3,225 Lm	129 Lm/W
VTS 4 LS1 G1 FSK	30 W	4,080 Lm	136 Lm/W	4,140 Lm	138 Lm/W	4,110 Lm	137 Lm/W
	38 W	5,054 Lm	133 Lm/W	5,130 Lm	135 Lm/W	5,092 Lm	134 Lm/W
	45 W	5,850 Lm	130 Lm/W	5,940 Lm	132 Lm/W	5,895 Lm	131 Lm/W
VTS 8 LS2 G1 FSK	60 W	8,160 Lm	136 Lm/W	8,280 Lm	138 Lm/W	8,220 Lm	137 Lm/W
	75 W	9,975 Lm	133 Lm/W	10,125 Lm	135 Lm/W	10,050 Lm	134 Lm/W
	90 W	11,700 Lm	130 Lm/W	11,880 Lm	132 Lm/W	11,790 Lm	131 Lm/W

Specifications

Housing

Light gray polycarbonate housing with stainless steel latches, frosted polycarbonate lens.

Operating Temperature

Suitable for use in -40° C to 50° C (-40° F to 122° F) when suspended at least 18" from ceiling.

Suitable for use in -40° C to 45° C (-40° F to 113° F) when surface mounted.

Mounting

Surface and Suspended (cable/chain) Mounting.

Efficacy

Up to 138 lumens per watt.

CCT

Field selectable: 3500K, 4000K, and 5000K.

UL 94

5VA flame classification.

Lifespan

Lumen Maintenance, L70 > 100,000 hours.

Warranty

5-year limited warranty. Comprehensive warranty terms can be located on www.slgus.com.

Electrical

Standard 120V - 277V

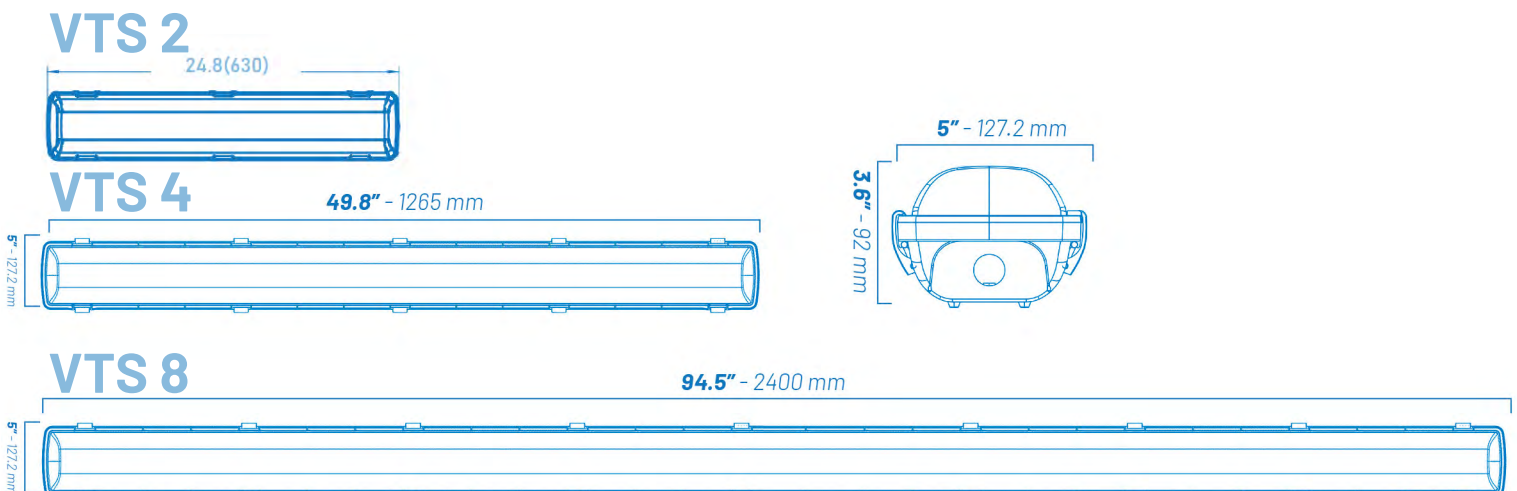
Dimming Driver

Driver includes 12V AUX and dimming control wiring for 0-10V dimming systems. The dim-to-off voltage threshold ranges from 0.1V to 0.5V.

Certifications

UL Listed for Wet Locations. Equivalent to IP66 rating. FCC compliant. Design Lights Consortium® (DLC) 5.1 qualified listed product.

Dimensions



ACCESSORIES



EMD-SH08D-UNV-056

Specifications

Input Voltage
100-347Vac

Frequency
50/60Hz

Emergency Power
8W

Battery
Li-Ion/LiFe04

Emergency Time
90 minutes

Output Voltage
36-56Vdc

Charging Time
≥ 24 Hours

Ambient Temp
5°C to 50°C (41°F to 122°F)



MS-ACE-01

Specifications

Input Voltage
AC120-277V

Frequency
60Hz

Input Current
10A Max @ 120V
4.3A Max @ 277V

Input Power
1200W Max

Output Voltage
AC120-277V

Output Current
10A Max @ 120V
4.3A Max @ 277V

Output Power
1200W Max

Sinking Current
10mA Max

Mounting Height
20 - 40 ft

IP Rating
IP66

Dimming
Class 2, 0-10V DC 10mA Max

Detection Range
40 - 80ft

Operating Temperature
-30°C to 55°C (-22°F to 131°F)

IR Remote Distance
26' MAX

Housing Material
UL 94-5VA

Warranty
5 Year warranty

SHIPPING INFORMATION



VTS 4 LS1 G1 FSK



VTS 8 LS1 G1 FSK

Product number	Individual box size	Individual box weight	Master carton box size	# per carton	Master carton weight
VTS 4 LS1 G1 FSK	51.4"L x 5.2"W x 3.5"H	6.72 LBS	52"L x 11.3"W x 8"H	4	26.67 LBS
VTS 8 LS1 G1 FSK	95.8"L x 5.2"W x 3.7"H	12.67 LBS	96.7"L x 10.8"W x 8"H	4	50.68 LBS