

PROJECT: _____
 CATALOG #: _____
 FIXTURE TYPE: _____
 NOTES: _____

VTA LED Adjustable Vapor Tight



PERFORMANCE INFORMATION

SERIES NUMBER	WATT	LUMENS	CCT
VTA 20 G1 50K	20W	1,600	5000K

The high performing *VTA Vapor Tight Adjustable* has flexible mounting options for ceiling mount, wall mount, and pendant mount. For even greater convenience, the fixture can be adjusted between 0° to 180°. A classic design paired with the latest LED technology, this vapor tight luminaire guarantees years of maintenance-free illumination.

APPLICATIONS

Building Exteriors, Outdoor Corridors, Walkways, Stairwells, Utility Areas, and Docks

REPLACEMENT

100W Incandescent/32W CFL

ORDERING GUIDE

EXAMPLE: VTA 20 G1 50K

Luminaire Type	Lumen Output	Generation	Voltage	CCT	Finish
VTA LED Adjustable Vapor Tight	20 1,600 Lumens	G1	BLANK= 120-277V	50K 5000K	BLANK= Silver Grey

Due to continuous product improvements, specification and/or equipment updates may change without notice.

SPECIFICATIONS

HOUSING

Rugged die-cast aluminum housing with removable guard included.

AMBIENT TEMPERATURE

Suitable for use in -30°C to 45°C (-22°F to 113°F).

MOUNTING

Wall mount to J-box with ½" NPS threaded conduit entry or four side conduit entries. Pendant and Ceiling mount versions accommodate traditional ½" NPS threaded top conduit entry and four side conduit entries. For greater convenience, the fixture can be tilted between 0° to 180°.

EFFICACY

Up to 100 lumens per watt (see individual wattage data)

CCT AND CRI

5000K CCT available; CRI 80

OPTICS

Frosted polycarbonate lens provides even light distribution with F1 weatherability rating per UL 746C.

WARRANTY

5-year limited warranty. Comprehensive warranty terms can be located on www.slgus.com.

ELECTRICAL

50/60Hz operation with 120-277V input. Non-dimmable.

LIFESPAN

50,000-hour LED lifespan based on TM-21 calculations, 25°C

FINISH

Polyester Powder Silver Grey finish with superior corrosion resistance and maximum durability.

CERTIFICATIONS

UL Listed for wet locations. IP65 rating. FCC compliant. RoHs compliant. Energy Star certified. F1 weatherability rating per UL746C.

MOUNTING



CEILING MOUNT



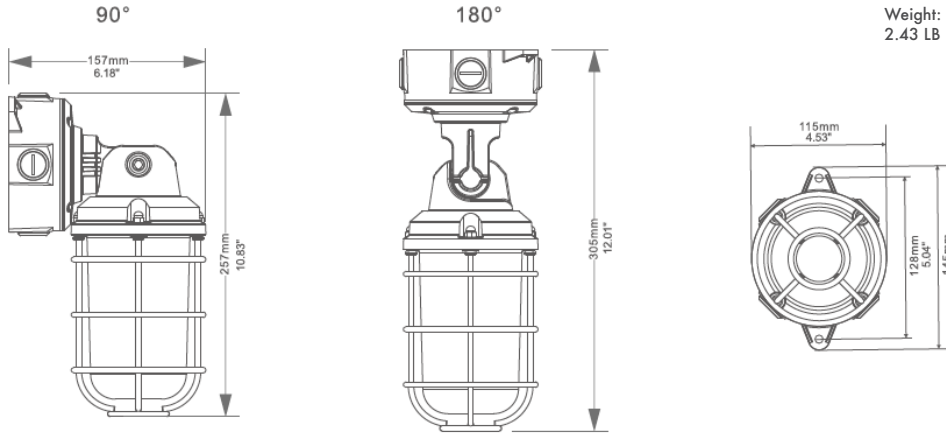
WALL MOUNT



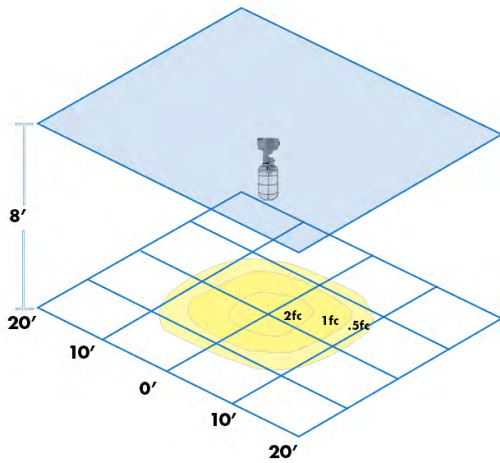
PENDANT MOUNT

Due to continuous product improvements, specification and/or equipment updates may change without notice.

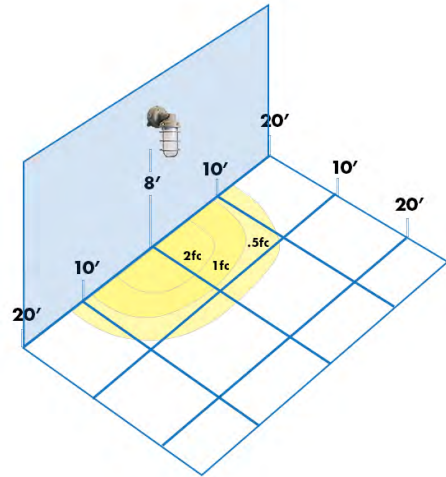
DIMENSIONS



PHOTOMETRIC



CEILING MOUNT



WALL MOUNT

VTA 20 G1 5K

Due to continuous product improvements, specification and/or equipment updates may change without notice.

ELECTRICAL LOAD

Series Number	Wattage	Current (A)			
		120V	208V	240V	277V
VTA 20 G1 50K	20W	0.19	0.11	0.10	0.08

PERFORMANCE COMPARISON

Product Series	Wattage	Lumens	Efficacy (LPW)	Replaces	Voltage	Max Mounting Height
VTA 20	20W	1,600 Lm	80	100W Incandescent/ 32W CFL	120-277V	8-18 ft

Due to continuous product improvements, specification and/or equipment updates may change without notice.