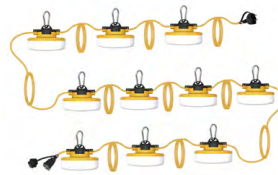


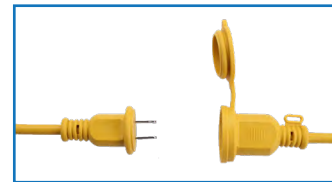
# TEMP G2

## LED Portable Work Lights Gen 2

Due to continuous product improvements, specification and/or equipment updates may change without notice.



LED Bulbs  
(10 Bulbs Included)



18/2 SJTW Cord  
(100 ft)

### TEMP G2 Portable Work Lights

(Images are shown for illustration purposes only)

The TEMP G2 LED Portable Work Lights is ideal for construction and job sites with a 100 ft cord and conveniently placed LED bulb at every 10 ft. Each LED bulb is impact resistant to the environment.

## CATALOGUE

Catalog Number	Description	Lumens	Watts	CCT	Voltage
TEMP 160 G2 50K	Portable Work Lights - 5000K - 16,000 Lumens - 130W - 100 Ft	16,000 Lm	130 W	5000K	120V

## ORDERING GUIDE

Luminaire Type	Length	Lumen Output	Generation	Voltage	CCT	Finish
• TEMP Portable Work Lights	• BLANK 100 Ft	• 160 16,000 Lumens 130W	• G2 2nd Generation	• BLANK 120 VAC	• 50K 5000K	• BLANK Yellow Cord with White Lenses

## SPECIFICATIONS

### CORD

18/2 SJTW 120V yellow cord.

### Application Temperature

Up to 120°C (248°F)

### Efficacy

Up to 123 lumens per watt.

### CCT & CRI

5000K CCT available.  
>80 CRI.

### Electrical

120 VAC - 60Hz

### Warranty

5-year limited warranty. Comprehensive warranty terms can be located on [www.slgus.com](http://www.slgus.com).

### Certifications

Suitable for Wet Location with IP65 Rated. ETL listed - Suitable for Wet Locations. FCC compliant.

### Max Link

130W 3 sets.

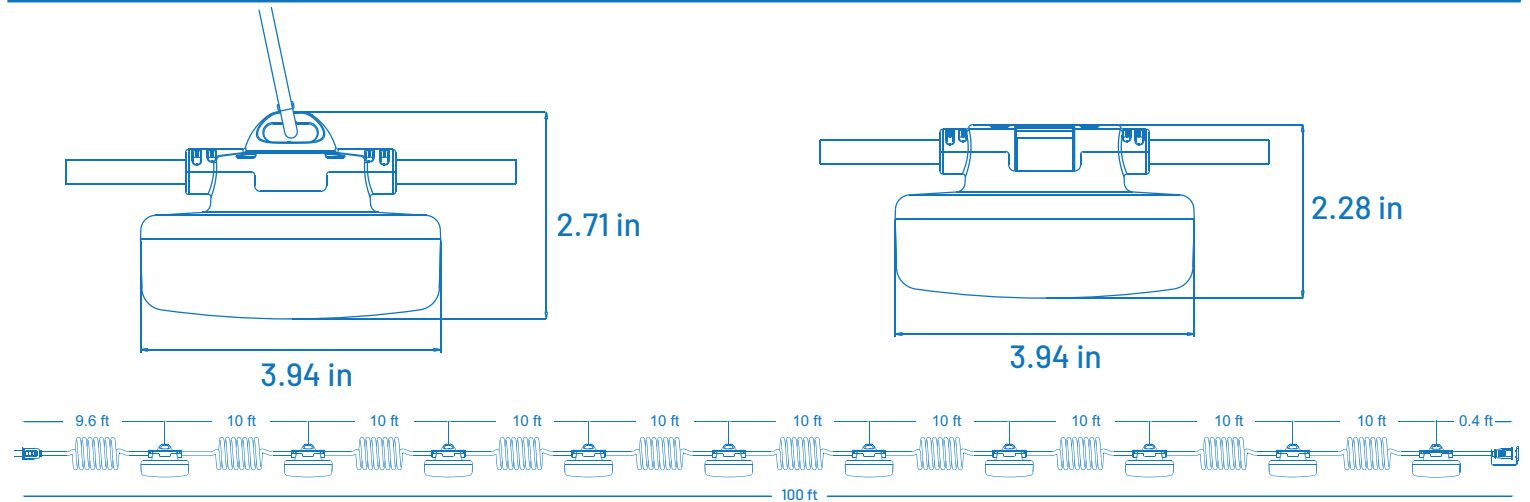
# TEMP G2



## PERFORMANCE

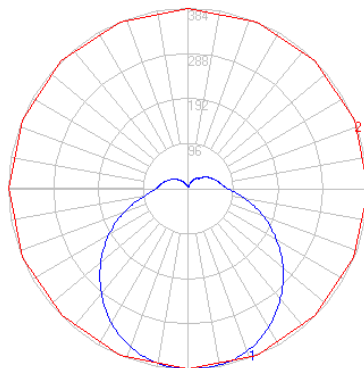
Series Number	Lumens	Wattage	CCT
TEMP 160 G2 50K	16,000 Lm	130 W	5000K

## DIMENSIONS



## PHOTOMETRICS

TEMP G2



Maximum Candela = 384.47 Located At Horizontal Angle = 45, Vertical Angle = 2  
 # 1 - Vertical Plane Through Horizontal Angles (45 - 225) (Through Max. Cd.)  
 # 2 - Horizontal Cone Through Vertical Angle (2) (Through Max. Cd.)

### ZONAL LUMEN SUMMARY

Zone	Lumens	%Fixt	Zone	Lumens	%Fixt
0-20	142.15	8.90	60-80	320.97	20.20
0-30	304.14	19.10	70-80	140.41	8.80
0-40	503.13	31.60	80-90	98.88	6.20
0-60	923.42	58.00	90-110	130.96	8.20
0-80	1244.39	78.20	90-120	175.49	11.00
0-90	1343.28	84.40	90-130	207.46	13.00
10-90	1306.76	82.10	90-150	240.84	15.10
20-40	360.99	22.70	90-180	248.99	15.60
20-50	574.65	36.10	110-180	118.03	7.40
40-70	600.84	37.70	0-180	1592.26	100.00

## SHIPPING INFORMATION



PRODUCT NUMBER	BOX SIZE	BOX WEIGHT
TEMP 160 G2 50K	17.3"W x 8.6"L x 7.5"H	