



Project:
 Catalog #:
 Fixture Type:
 Notes:

TDB G1

LED Troffer - Bluetooth Controls Ready

SMART XP

Due to continuous product improvements, specification and/or equipment updates may change without notice.



TDB 24 LS58 G1 FSK - 2' x 4'

(Images are shown for illustration purposes only)



TDB 22 LS45 G1 FSK - 2' x 2'
 Pictured with motion sensor

The TDB Bluetooth Controls Ready LED Troffer is a control experience LED troffer - designed to save you money, save you time, and install quickly. This controls ready fixture offers full lumen adjustable output and CCT color adjustable outputs. Adjust outputs with the touch of a button on our free mobile SLG Sync app.

Catalog Number	Description	Lumens	Watts	CCT	Voltage
TDB 22 LS45 G1 FSK	LED Troffer - 2' x 2' - Bluetooth Controls Ready	Controls Adjustable 4,500 Lm Max	Controls Adjustable 35 W Max	Controls Adjustable 3000K - 5000K	120V - 277V
TDB 24 LS58 G1 FSK	LED Troffer - 2' x 4' - Bluetooth Controls Ready	Controls Adjustable 5,800 Lm Max	Controls Adjustable 45 W Max	Controls Adjustable 3000K - 5000K	120V - 277V

ORDERING GUIDE

Example: TDB 22 LS45 G1 FSK

Fixture Type	Size	Adjustable Lumen Output	Generation	Voltage	Adjustable CCT	Finish	Motion Sensor
• TDB LED Troffer - Bluetooth Controls Ready	• 22 2' x 2'	• LS45 4,500 Lm/35W Max	• G1 First Generation	• BLANK 120-277 V	• FSK 3000K - 5000K	• BLANK White	• MSE DCI-08 Low Bay Sensor
	• 24 2' x 4'	• LS58 5,800 Lm/45W Max					

Performance Information

Series Number	TDB 22 LS45 G1 FSK (2' x 2')				TDB 24 LS58 G1 FSK (2' x 4')			
CCT	3000K	3500K	4000K	5000K	3000K	3500K	4000K	5000K
Lumens	4,375 Lm	4,410 Lm	4,445 Lm	4,480 Lm	5,625 Lm	5,670 Lm	5,715 Lm	5,760 Lm
Efficacy	125 Lm/W	126 Lm/W	127 Lm/W	128 Lm/W	125 Lm/W	126 Lm/W	127 Lm/W	128 Lm/W

Data based on popular CCT color options and fixture at it's highest power settings.

Specifications

Housing and Lens

Sheet metal stamping - frosted PMMA lens

Ambient Temperature

Suitable for use in -20° C to 45° C (-4° F to 113° F).

Mounting

Grid ceiling, recessed drywall, surface mounting, and suspended installation.

Efficacy

125+ lumens per watt.

CCT and CRI

Wireless controls adjustable: 3000K - 5000K, 80CRI

Lumen Output

Wireless controls adjustable: 4,500 Lm Max (2' x 2' fixture).
5,800 Lm Max (2' x 4' fixture).

Driver

Bluetooth control module is integrated into the driver.

Warranty

5-year limited warranty. Comprehensive warranty terms can be located on www.slgus.com.

Electrical

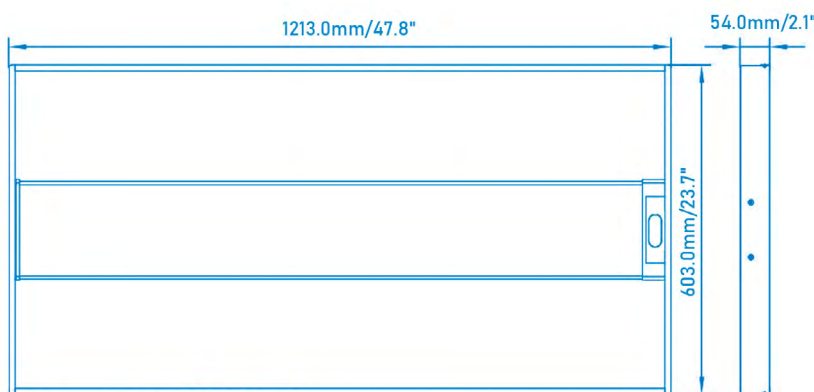
Standard 120V - 277V. 0-10V dimming.

Certifications

UL Listed for damp locations. FCC compliant. Design Lights Consortium® (DLC) 5.1 Premium qualified product.
DLC Network Lighting Controls qualified system (SLG Sync) N-EPBK41

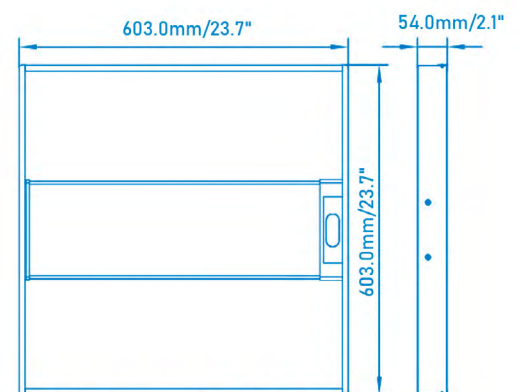
Dimensions

TDB 24



Product Weight : 5.19Kg/11.44lb

TDB 22



Product Weight : 3.10Kg/6.83lb

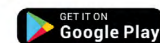


This Bluetooth device is compatible with SLG Lighting control system only.

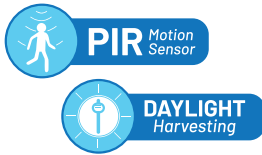
Download the SLG Sync App



Scan the QR code to download the SLG Sync app.

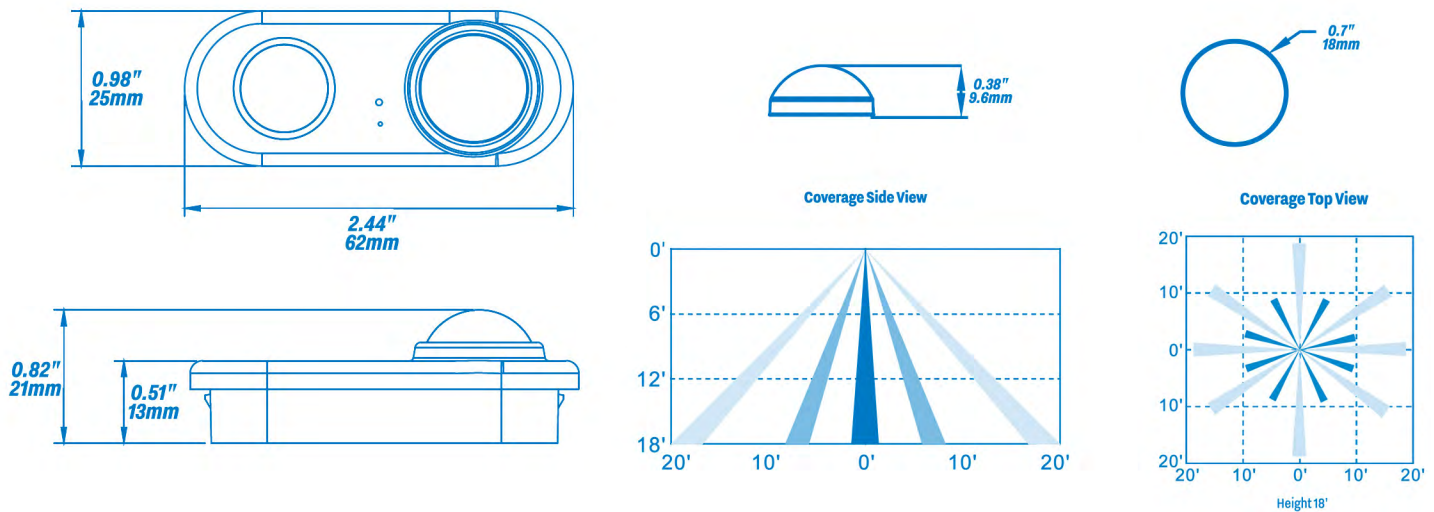


Motion sensor

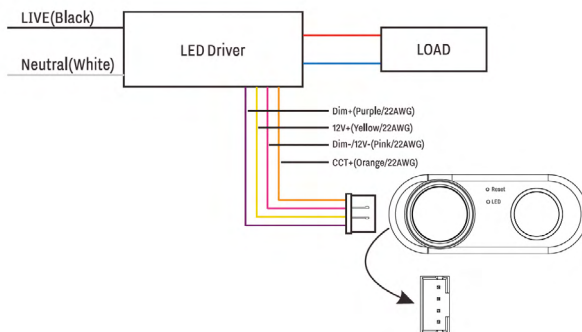


MSE-DCI-08 Motion Sensor

Dimensions



Wiring



Specifications

Input Voltage DC 12V	Bluetooth Version 4.2	Sinking Current 10mA Max	Mounting Height 18 ft Max	Operating Temperature -30°C to 55°C (-22°F to 131°F)
Input Current 25mA Max	Output Current 10mA Max	Bluetooth Transmit 100 ft. Max	Dimming Class 2, 0-10V DC 10mA Max	Warranty 5 Year warranty
Input Power 0.3W	Output Power 0.1W	Radio Frequency 2.4 GHz +- 75 MHz	Detection Range 40 ft Max	IP Rating IP20 - Indoor Only