

TDRB G1

LED Troffer - Controls Ready Retrofit Kit Gen 1 **CONTROL XP**

Due to continuous product improvements, specification and/or equipment updates may change without notice.



(Images are shown for illustration purposes only)

TDRB 22 LS38 G1 FSK - 2' x 2'
 Pictured with motion sensor

The **TDRB Bluetooth Controls Ready Retrofit Kit LED Troffer** is a control experience LED troffer designed to convert outdated fluorescent troffers into energy-efficient, contemporary LED systems. Includes everything needed for a seamless installation without removing the existing fixture mounting. This controls ready fixture offers full lumen adjustable output and CCT color adjustable outputs that can be adjusted with the touch of a button through our free mobile SLG Sync app.

Catalog Number	Description	Lumens	Watts	CCT	Voltage
TDRB 22 LS38 G1 FSK	LED Troffer - Retrofit Kit - 2' x 2' - Bluetooth Controls Ready	Controls Adjustable 3,800 Lm Max	Controls Adjustable 30 W Max	Controls Adjustable 3000K - 5000K	120V - 277V
TDRB 24 LS58 G1 FSK	LED Troffer - Retrofit Kit - 2' x 4' - Bluetooth Controls Ready	Controls Adjustable 5,800 Lm Max	Controls Adjustable 45 W Max	Controls Adjustable 3000K - 5000K	120V - 277V

ORDERING GUIDE

Example: TDB 22 LS45 G1 FSK

Fixture Type	Size	Adjustable Lumen Output	Generation	Voltage	Adjustable CCT	Finish	Motion Sensor
• TDRB LED Retrofit Kit Troffer - Bluetooth Controls Ready	• 22 2' x 2'	• LS38 3,800 Lm/30W Max	• G1 First Generation	• BLANK 120-277 V	• FSK 3000K - 5000K	• BLANK White	• BLANK No motion sensor • MSE DCI-08 Low Bay Sensor
	• 24 2' x 4'	• LS58 5,800 Lm/45W Max					

Performance Information

Series Number	TDRB 22 LS38 G1 FSK (2' x 2')			
CCT	3000K	3500K	4000K	5000K
Lumens	3,750 Lm	3,780 Lm	3,810 Lm	3,840 Lm
Efficacy	125 Lm/W	126 Lm/W	127 Lm/W	128 Lm/W

TDRB 24 LS58 G1 FSK (2' x 4')				
CCT	3000K	3500K	4000K	5000K
Lumens	5,625 Lm	5,670 Lm	5,715 Lm	5,760 Lm
Efficacy	125 Lm/W	126 Lm/W	127 Lm/W	128 Lm/W

Data based on popular CCT color options and fixture at it's highest power settings.

Specifications

Housing and Lens

Sheet metal stamping - frosted PMMA lens

Ambient Temperature

Suitable for use in -20° C to 45° C (-4° F to 113° F).

Mounting

Recessed and surface mounting.

Efficacy

125+ lumens per watt.

CCT and CRI

Wireless controls adjustable: 3000K - 5000K, 80CRI

Lumen Output

Wireless controls adjustable: 3,800 Lm Max (2' x 2' fixture).
5,800 Lm Max (2' x 4' fixture).

Driver

Bluetooth control module is integrated into the driver.

Warranty

5-year limited warranty. Comprehensive warranty terms can be located on www.slgus.com.

Electrical

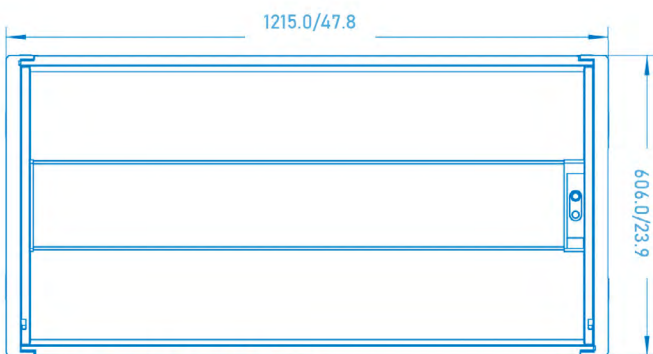
Standard 120V - 277V. 0-10V dimming.

Certifications

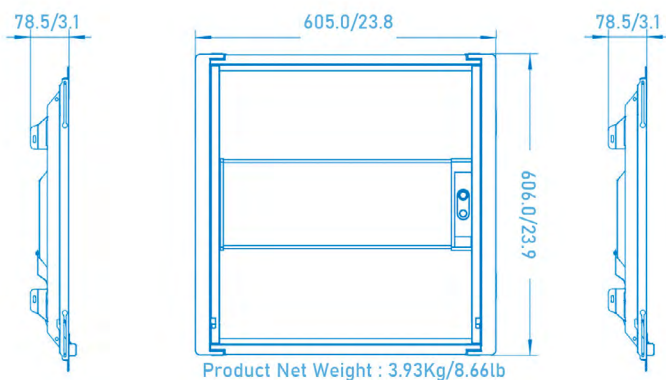
UL Listed for damp locations. FCC compliant. Design Lights Consortium® (DLC) premium 5.1 qualified product.

Dimensions

TDRB 24



TDRB 22



TDRB G1

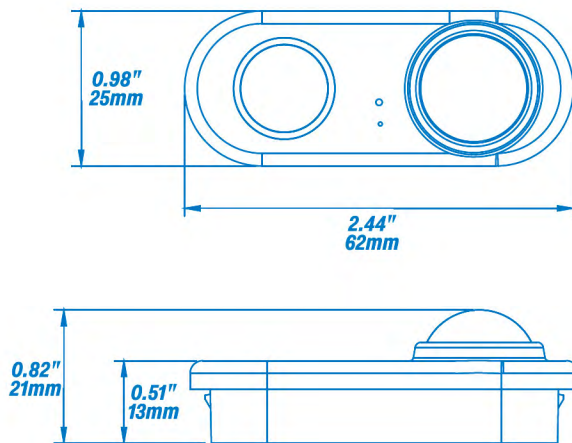


Motion sensor

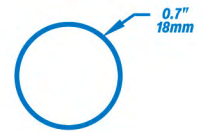


MSE-DCI-08 Motion Sensor

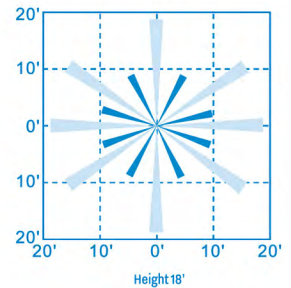
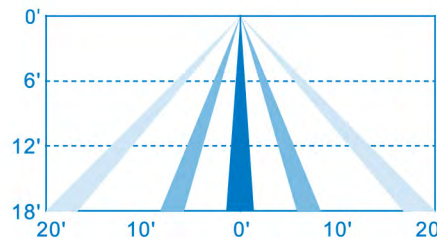
Dimensions



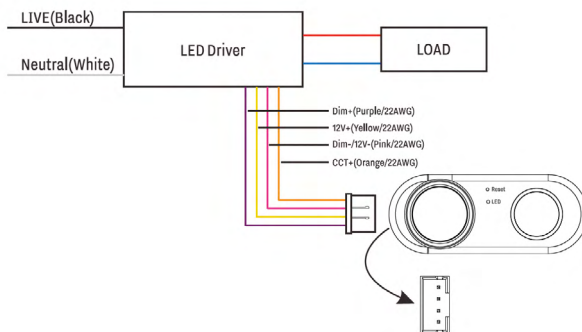
Coverage Side View



Coverage Top View



Wiring



Specifications

Input Voltage
DC 12V

Bluetooth Version
4.2

Sinking Current
10mA Max

Mounting Height
18 ft Max

Operating Temperature
-30°C to 55°C (-22°F to 131°F)

Input Current
25mA Max

Output Current
10mA Max

Bluetooth Transmit
100 ft. Max

Dimming
Class 2, 0-10V DC 10mA Max

Warranty
5 Year warranty

Input Power
0.3W

Output Power
0.1W

Radio Frequency
2.4 GHz +- 75 MHz

Detection Range
40 ft Max

IP Rating
IP20 - Indoor Only