

# Bluetooth Controller AC Fixture Controller - Sensor Ready

## Description:

This Bluetooth fixture controller is a part of the SLG Sync network lighting experience. The **FCB-ACI-02** provides 0-10V output and 3A relay control to enable fixture controls using the SLG Sync App, ready to connect with SLG ECO sensors. Download our SLG Sync app on IOS/android for easy commissioning, convient controls, and a total lighting network experience.



**FCB-ACI-02**  
Wireless Fixture Controller  
(Indoor use)



## Features:

- Luminaire Level Lighting Control (LLLC) enabled with wireless bluetooth technology.
- Power pack, wireless fixture controller - 0-10V Single output and 3A Relay control.
- User friendly commissioning with SLG Sync App (Available in IOS and Android).
- Local Bluetooth Network - no gateway needed.
- Individual Addressability and/or Grouping
- Multi-level dimming: Manual ON/OFF Automatic ON/OFF, and Automatic Partial ON/OFF control capability
- Ability to create scenes for more customized dimming scenarios
- Time clock scheduling for individual lights, groups, or scenes
- High-Trim/Tuning sets the maximum light level based on customer requirements in each space
- Check [www.slgus.com/slg-sync](http://www.slgus.com/slg-sync) for SLG Lighting fixture compatibility.
- 5 Year Warranty

## Ordering Information:

### Sensor/Controller

Product Number	Description
<b>FCB-ACI-02</b>	Bluetooth Fixture Controller - Sensor ready - 0-10V Single output and 3A Relay control - Indoor use

## App Download:



## Commissioning:

SLG Sync mobile App is the easiest way to pair devices, create groups, set scenes, set schedules, dimming, color tuning, and adjust high trim based on needs.

Visit [www.slgus.com/slgsync](http://www.slgus.com/slgsync) for How-to-Videos and a comprehensive commissioning guide.



Due to continuous product improvements, specification and/or equipment updates may change without notice.

## Specifications

**Input Voltage**

AC120-277V

**Frequency**

60 Hz

**Input Current**

3.1A Max

**Input Power**

360W Max @ 120V

360W Max @ 277V

**Output Voltage**

AC120-277V

**Output Current**

3A Max

**Output Power**

360W Max @ 120V

360W Max @ 277v

**Sinking Current**

10mA Max

**Bluetooth Transmit**

200 ft. Max

**Radio Frequency**

2.4 GHz +- 75 MHz

**Mounting Height**

20 - 40 ft

**Dimming**

Class 2, 0-10V DC 10mA Max

**Operating Temperature**

-30°C to 65°C (-22°F to 149°F)

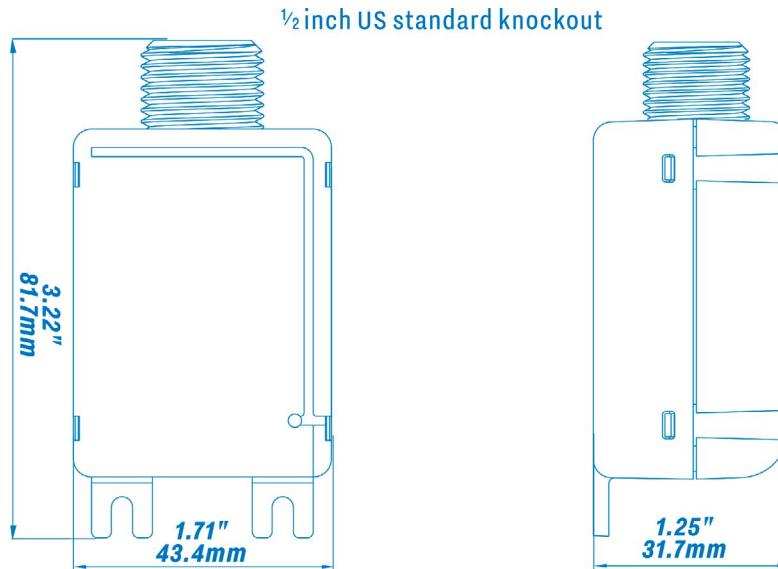
**Warranty**

5 Year warranty

**IP Rating**

IP20

## Dimensions

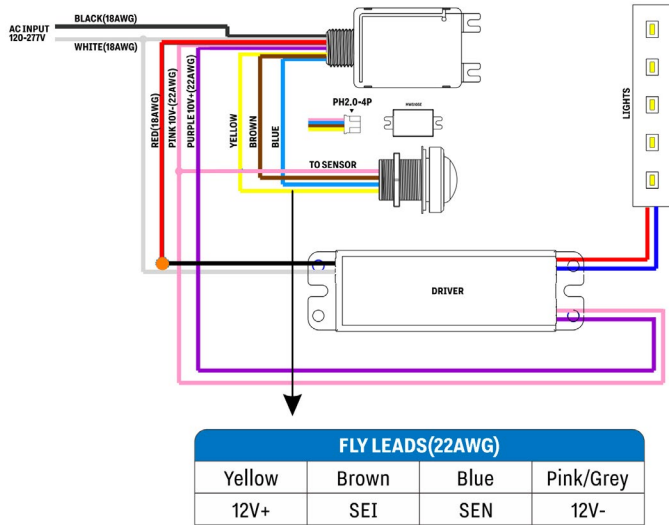


Due to continuous product improvements, specification and/or equipment updates may change without notice.

# Wiring

## FCB-ACI-02

Wireless Fixture Controller (Indoor use)



Due to continuous product improvements, specification and/or equipment updates may change without notice.