

## Bluetooth Sensor

# AC INTEGRATED BLUETOOTH SENSOR & CONTROLLER

### Description:

Our AC powered integrated wireless, Bluetooth High Bay sensor. This sensor provides 360° coverage at heights ranging from 20-40ft. Download our SLG Sync app on IOS/android for easy commissioning, convient controls, and a total lighting network experience.



### Features:

- Luminaire Level Lighting Control (LLLC) enabled with wireless bluetooth technology.
- Built-in analog sensor.
- Replaceable Mid Bay or High Bay lens options.
- 120-277V Line Voltage input.
- Local Bluetooth Network - no gateway needed.
- Occupancy and Daylight Harvesting.
- Individual Addressability and/or Grouping
- Multi-level dimming: Manual ON/OFF Automatic ON/OFF, and Automatic Partial ON/OFF control capability
- Ability to create scenes for more customized dimming scenarios
- Time clock scheduling for individual lights, groups, or scenes
- High-Trim/Tuning sets the maximum light level based on customer requirements in each space
- Check [www.slgus.com/slg-sync](http://www.slgus.com/slg-sync) for SLG Lighting fixture compatibility.
- 5 Year Warranty

### Ordering Information:

#### Sensor/Controller

Product Number	Description
MSB-ACI-01	AC, Integrated - Bluetooth Wireless Sensor & Controller

#### Accessories

Product Number	Description
MSB-13-L7	High Bay lens, 1.3" fitting, 20-40ft mounting height, max 80ft diameter coverage
MSB-13-L3	Medium Bay lens, 1.3" fitting, 8-20ft mounting height, max 50ft diameter coverage

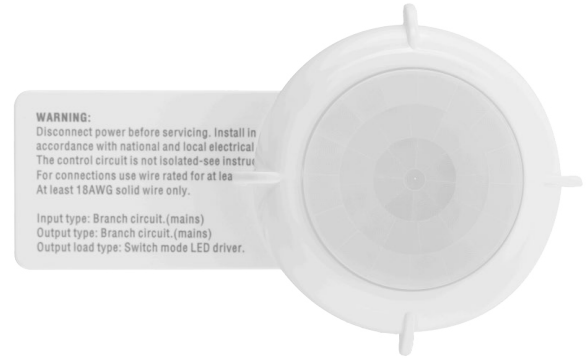
### App Download:



### Commissioning:

SLG Sync mobile App is the easiest way to pair devices, create groups, set scenes, set schedules, dimming, color tuning, and adjust high trim based on needs.

Visit [www.slgus.com/slgsync](http://www.slgus.com/slgsync) for How-to-Videos and a comprehensive commissioning guide.



**MSB-ACI-01** Motion sensor  
(pictured with High Bay lens)

### Motion Sensor Accessories:



**MSB-13-L7**  
High Bay Lens



**MSB-13-L3**  
Medium Bay Lens

Due to continuous product improvements, specification and/or equipment updates may change without notice.

# Specifications

### Input Voltage

AC120-277V

### Output Voltage

AC120-277V

### Bluetooth Transmit

100 ft. Max

### Detection Range

32 - 80 ft

### Frequency

50/60Hz

### Output Current

6A Max @ 120V, 2.5A Max @ 277V

### Radio Frequency

2.4 GHz +- 75 MHz

### Operating Temperature

-30°C to 55°C (-22°F to 131°F)

### Input Current

6A Max @ 120V, 2.5A Max @ 277V

### Output Power

700W Max

### Mounting Height

20 - 40 ft

### Warranty

5 Year warranty

### Input Power

700W Max

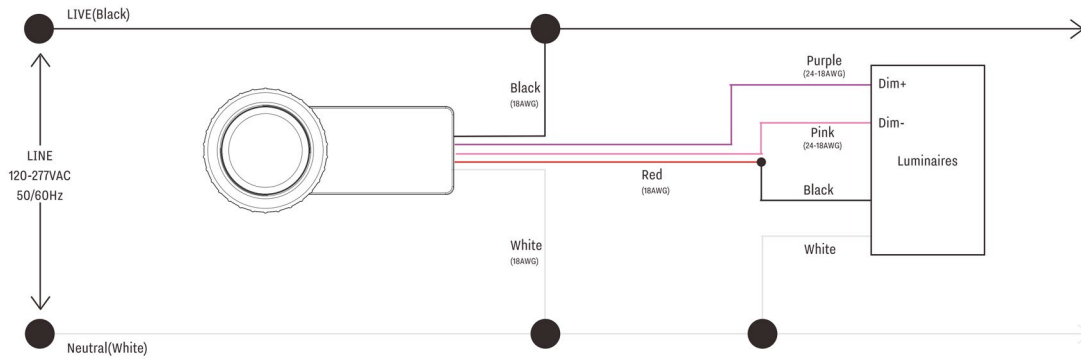
### Sinking Current

10mA Max

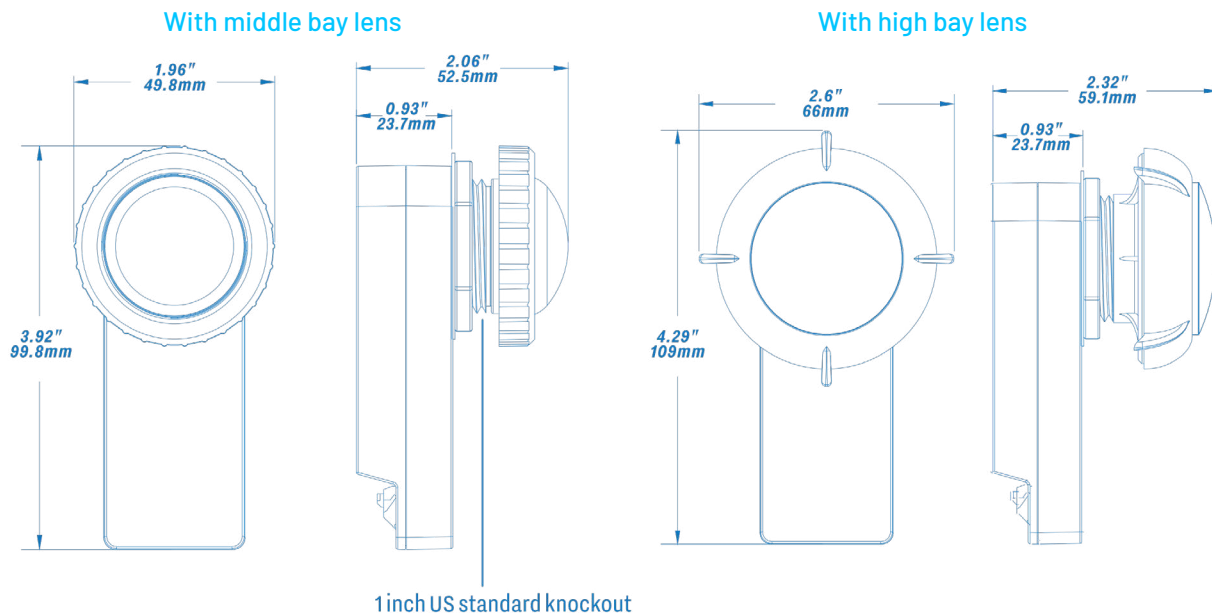
### Dimming

0-10V DC 10mA Max

# Wiring



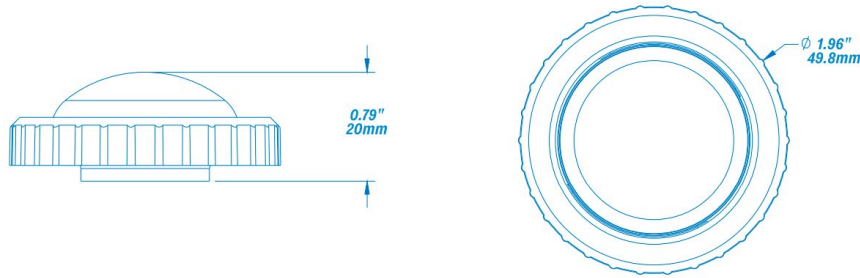
# Dimensions



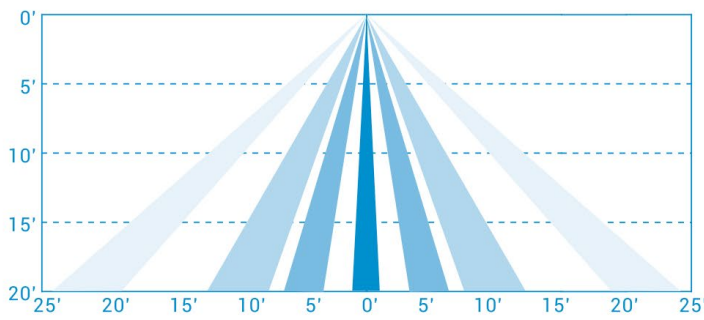
Due to continuous product improvements, specification and/or equipment updates may change without notice.

# Lens Options

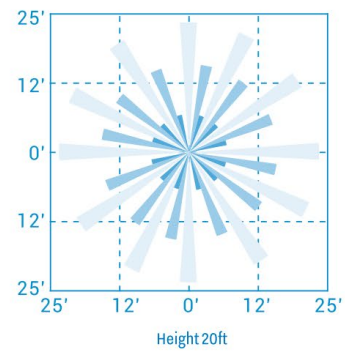
## Medium Bay Lens: MSB-13-L3 (1.3" fitting)



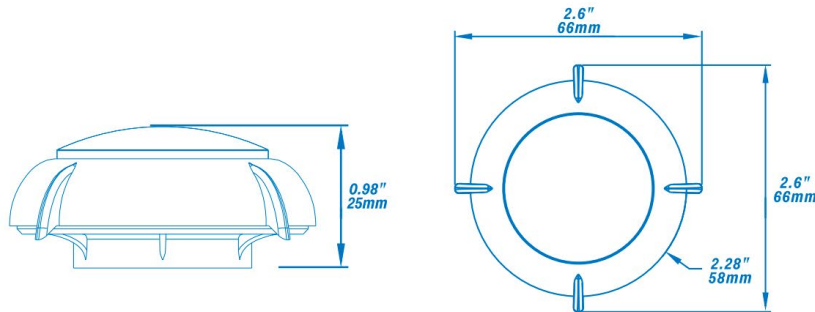
Coverage Side View



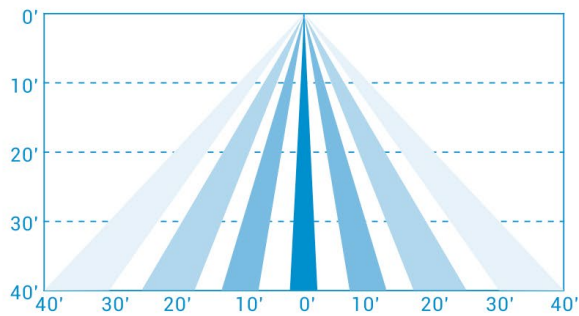
Coverage Top View



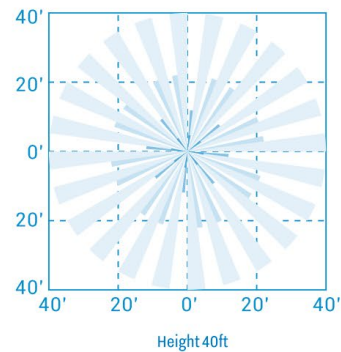
## High Bay Lens: MSB-13-L7 (1.3" fitting)



Coverage Side View



Coverage Top View



Due to continuous product improvements, specification and/or equipment updates may change without notice.