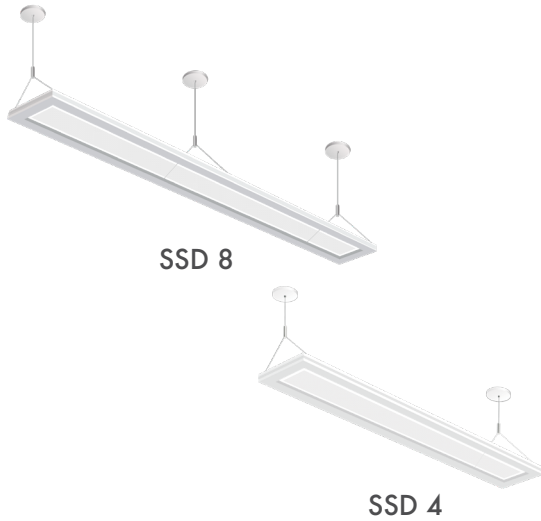


PROJECT: _____
 CATALOG #: _____
 FIXTURE TYPE: _____
 NOTES: _____

SSD Suspending Semi-Direct LED Luminaire



PERFORMANCE INFORMATION

SERIES NUMBER	WATT	LUMENS	CCT
SSD 4 42 G1 35K	40W	4,254	3500K
SSD 8 85 G1 40K	80W	8,598	4000K

The *SSD Suspending Semi-Direct Luminaire Gen 1* is a commercial pendant architectural lighting with advanced LED optical system for superior performance. This stunning design includes a transparent zone between the frame and light emitting edge to create an illusion of the light floating in mid-air. This luminaire is available in 4 ft and 8 ft and can be mounted individually or joined to create a continuous row for linear illumination. Key features include 55% downlighting and 45% uplighting, and step dimming.

APPLICATIONS

Airport, Educational, Executive, Health, Hospitality, Hotels, Medical, Retail, and any open spaces that require a unique and elegant architectural lighting design.

REPLACEMENT

T8 fluorescent lamps with at least 60,000 hours of virtually maintenance-free illumination

ORDERING GUIDE							EXAMPLE: SSD 4 42 G1 35K
Luminaire Type	Fixture Length	Lumen Output	Generation	Voltage	CCT	Finish	Options
SSD Suspending Semi-Direct LED Luminaire	4 =4 feet	42 4,254 Lumens	G1	BLANK = 120-277V	35K 3500K	BLANK = White	BLANK =No Option
	8 =8 feet	85 8,598 Lumens			40K 4000K		

Please note 8 foot only available in 4000K and 4 foot only available in 3500K.

Due to continuous product improvements, specification and/or equipment updates may change without notice.

SPECIFICATIONS

HOUSING AND FINISH

The body is made of extruded aluminum. The standard finish is polyester powder white.

AMBIENT TEMPERATURE

Suitable for use in 0°C - 40°C (32°F - 104°F)

MOUNTING

Comes with a 4' suspension cable, a 4' white power cord and a white canopy. Capable of row mounting to create continuous line without additional hardware or accessories.

4 foot: Using 120V AC, you can connect up to 9 panels together.
Using 277V AC, you can connect up to 20 panels together.

8 foot: Using 120V AC, you can connect up to 4 panels together.
Using 277V AC, you can connect up to 10 panels together.

EFFICACY

40W: up to 105lm/W
80W: up to 108lm/W

ELECTRICAL

Standard 120/277V with 50/60Hz, 0-10V dimming.

CCT AND CRI

4 foot: 3500K CCT available; 80 CRI

8 foot: 4000K CCT available; 80 CRI

LENS

High transmitting acrylic PMMA lens.

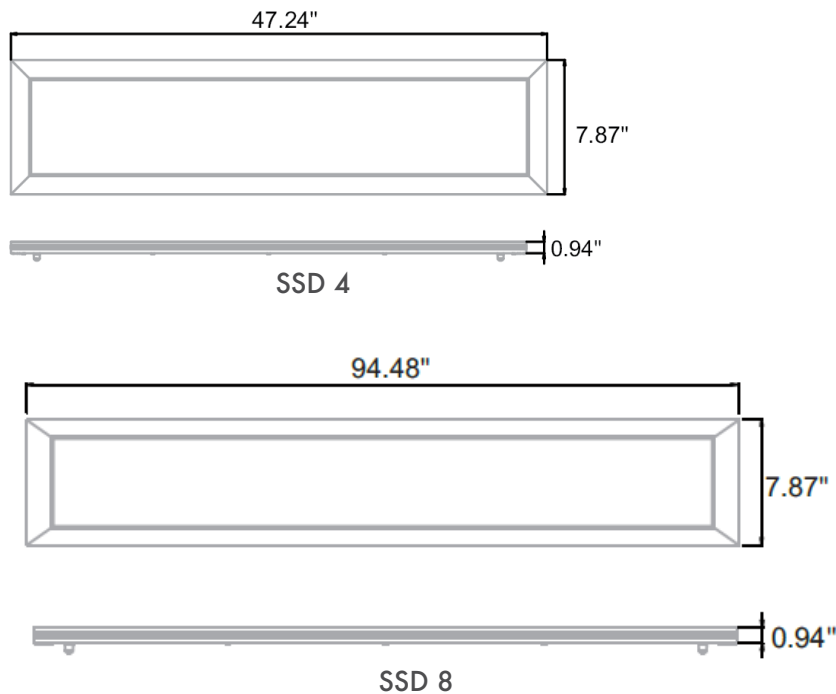
WARRANTY

5-year limited warranty. Please visit www.slgus.com for complete warranty terms.

CERTIFICATIONS

UL Listed. Design Lights Consortium® (DLC) 5.1 Standard qualified product. Not all versions of this product may be DLC qualified. Please visit www.slgus.com to confirm which versions are qualified.

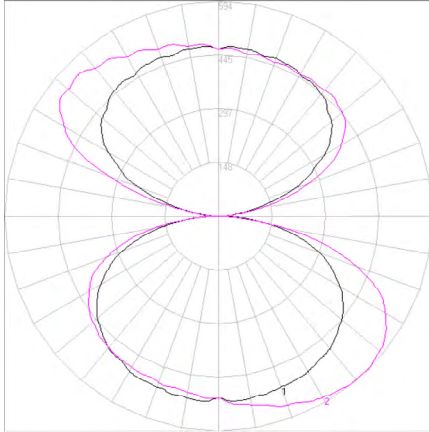
DIMENSIONS



Due to continuous product improvements, specification and/or equipment updates may change without notice.

PHOTOMETRIC

SSD 4 42 G1 35K



4254 Lumens
 Power: 40W
 Efficacy: 106.35 lm/W
 50% Beam Angle: 147°

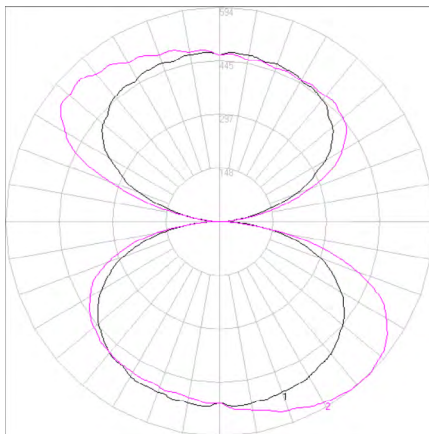
CANDLE POWER DISTRIBUTION

Angle (°)	Average (cd)
0	502
5	514
15	540
25	501
35	482
45	457
55	411
65	335
75	220
85	57
90	0

ZONAL LUMEN SUMMARY

Zone	Lumens	% Fixture
0-30	433.69	10.20
0-40	755.04	17.70
0-60	1551.15	36.50
0-90	2271.71	53.40
0-180	4253.98	100.0

SSD 8 85 G1 35K



8598 Lumens
 Power: 80W
 Efficacy: 106.27 lm/W
 50% Beam Angle: 147°

CANDLE POWER DISTRIBUTION

Angle (°)	Average (cd)
0	502
5	514
15	540
25	501
35	482
45	457
55	411
65	335
75	220
85	57
90	0

ZONAL LUMEN SUMMARY

Zone	Lumens	% Fixture
0-30	867.38	10.20
0-40	1510.08	17.70
0-60	3102.3	36.50
0-90	4543.42	53.40
0-180	8507.96	100.0

Due to continuous product improvements, specification and/or equipment updates may change without notice.

INTERNAL REPLACEABLE DRIVER



TM21 TABLE

Time (t) at which to estimate lumen maintenance (hours)	50,000
Lumen maintenance at time (t) (%)	76.40%
Calculated L70 (hours)	66,000
Reported L70 (hours)	>54,000

ELECTRICAL LOAD

WATT	Current (A)			
	120V	208V	240V	277V
40W	0.33	0.19	0.17	0.14
80W	0.67	0.38	0.33	0.29

Due to continuous product improvements, specification and/or equipment updates may change without notice.