

PROJECT: \_\_\_\_\_  
 CATALOG #: \_\_\_\_\_  
 FIXTURE TYPE: \_\_\_\_\_  
 NOTES: \_\_\_\_\_

# LCH Round & Square Wall Mount Cylinder



4" Round



4" Square

The *LCH Round & Square Wall Mount Cylinder* is an elegant and contemporary fixture that features Adjustable Lumens and three light distributions: direct, indirect, or both. This versatile fixture comes in 4" round or square sizes. They offer a diffused and even light distribution with a wide 80° beam angle, making these fixtures ideal for a variety of applications, including commercial and residential.



## APPLICATIONS

Commercial and Residential



## SPECIFICATIONS

### CONSTRUCTION

Die-cast aluminum housing with glass optics

### AMBIENT TEMPERATURE

Suitable for use in -4°F to 113°F (-20°C to 45°C)

### MOUNTING

Wall mount

### EFFICACY

Up to 108 lumens per watt (see individual wattage data)

### CCT AND CRI

3000K and 4000K available, >80CRI

### ELECTRICAL

Standard 120-277V 50/60Hz AC input. Standard 1-10V dimming.

### FINISH

Standard Polyester Powder Coat in Black. Custom colors available.

### LIFESPAN

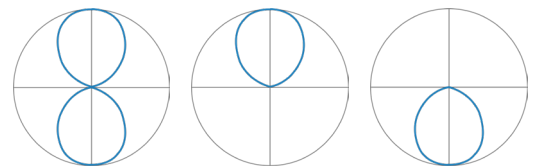
L70 life > 50,000 hrs @ 25°C

### WARRANTY

5-year limited warranty. Comprehensive warranty terms can be located on [www.slgus.com](http://www.slgus.com).

### CERTIFICATIONS

Energy Star certified. ETL Listed for wet location.



Up & Down

Uplight Only

Downlight Only

## LIGHTING DISTRIBUTIONS

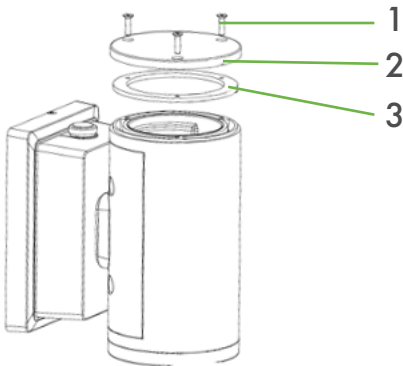
Due to continuous product improvements, specification and/or equipment updates may change without notice.

ORDERING GUIDE								EXAMPLE: LCH 4S 25/30/35 G1 40K
Luminaire Type	Size	Adjustable Lumen Output	Beam Angle	Generation	Voltage	CCT	Finish	Light Distribution
<b>LCH</b> Wall Mount Cylinder Up & Down	<b>4S</b> 4" Square <b>4R</b> 4" Round	<b>25/30/35</b> Lumen Adjustable	<b>WB=</b> Wide Beam Angle	<b>G1</b>	<b>BLANK=</b> 120-277V	<b>30K</b> 3000K <b>40K</b> 4000K	<b>BLANK=</b> Black <b>C=</b> Custom *	<b>BLANK=</b> Up & Down <b>DL=</b> Downlight Only (25W—2,300 Lm) <b>UL=</b> Uplight Only (25W—2,300 Lm)

\*For custom colors, please call to place your order.

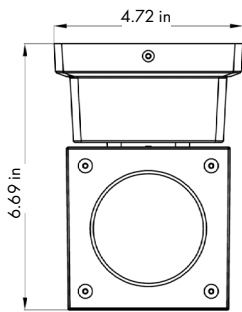
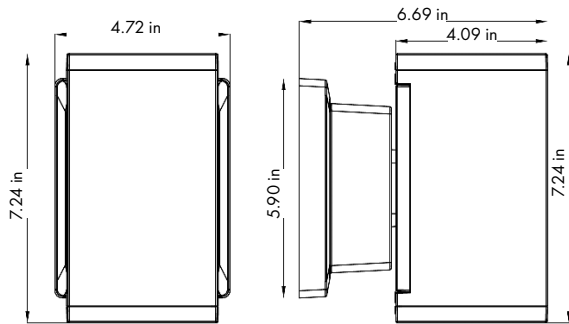
**ACCESSORIES**

Single Distribution Retrofit Kit



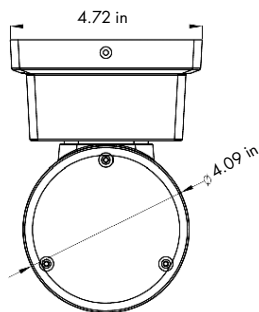
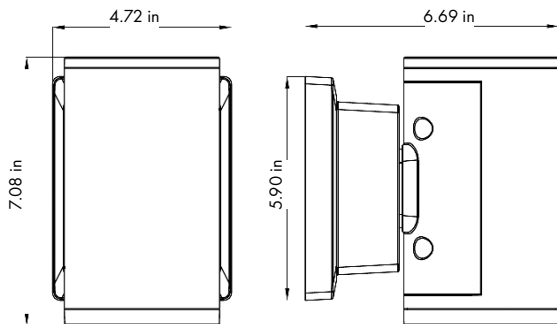
Due to continuous product improvements, specification and/or equipment updates may change without notice.

## DIMENSIONS



Product Number	Product Weight (lbs)	Individual Box Weight (lbs)	Pieces per master box	Master box weight (lbs)
LCH 4S 25/30/35 WB G1 30K	4.78 lbs	5.25 lbs	4	22.49 lbs
LCH 4S 25/30/35 WB G1 40K	4.78 lbs	5.25 lbs	4	22.49 lbs

### 4" SQUARE



Product Number	Product Weight (lbs)	Individual Box Weight (lbs)	Pieces per master box	Master box weight (lbs)
LCH 4R 25/30/35 WB G1 30K	4.12 lbs	4.48 lbs	4	19.42 lbs
LCH 4R 25/30/35 WB G1 40K	4.12 lbs	4.48 lbs	4	19.42 lbs

### 4" ROUND

Due to continuous product improvements, specification and/or equipment updates may change without notice.

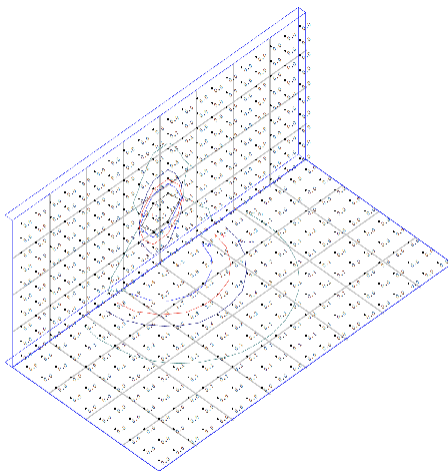
## PERFORMANCE DATA

Wattage	Voltage	3000K		4000K	
		Lumens	Efficacy (lm/W)	Lumens	Efficacy (lm/W)
25W	120-277V	2,250	90	2,375	95
30W	120-277V	2,700	90	2,850	95
35W	120-277V	3,150	90	3,325	95

## ELECTRICAL LOAD

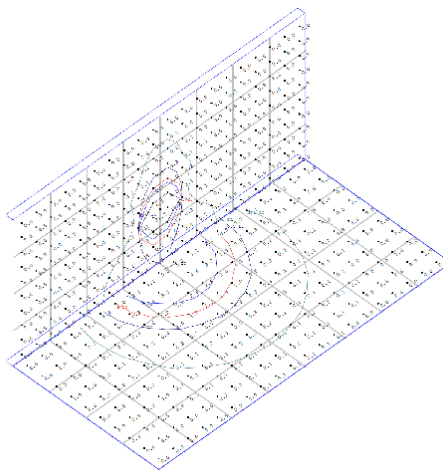
Wattage	Current (A)			
	120V	208V	240V	277V
25W	0.21	0.12	0.10	0.09
30W	0.25	0.14	0.13	0.11
35W	0.29	0.17	0.15	0.13

## PHOTOMETRIC



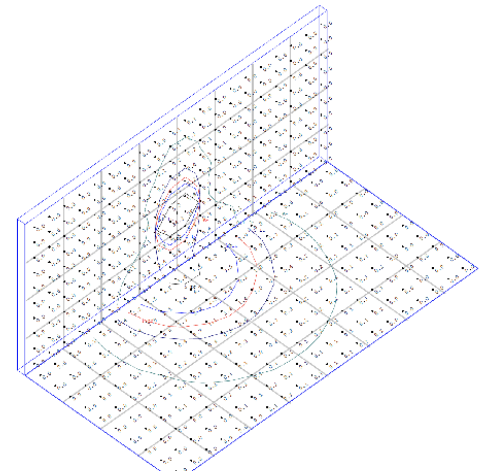
LCH 4R 25/30/35 G1 XK

Input Voltage: 120-277V  
 System Level Power: 26  
 Delivered Lumens: 2,765  
 Efficacy: 106 lm/W  
 CRI: 80



LCH 4R 25/30/35 G1 XK

Input Voltage: 120-277V  
 System Level Power: 31  
 Delivered Lumens: 3,350  
 Efficacy: 108 lm/W  
 CRI: 80



LCH 4R 25/30/35 G1 XK

Input Voltage: 120-277V  
 System Level Power: 36.5  
 Delivered Lumens: 3,777  
 Efficacy: 103 lm/W  
 CRI: 80

Due to continuous product improvements, specification and/or equipment updates may change without notice.