

PROJECT: \_\_\_\_\_  
 CATALOG #: \_\_\_\_\_  
 FIXTURE TYPE: \_\_\_\_\_  
 NOTES: \_\_\_\_\_

# HE Series High Bay Gen 2



1' x 2'



2' x 2'

2' x 4'



The HE Series High Bay Gen 2 provides high lumen output and efficiency in three sizes, 1' x 2', 2' x 2', and 2' x 4'. This luminaire has high temperature polycarbonate lens to reduce yellowing and directs light to desired locations.



## APPLICATIONS

Industrial, Education, and Retail applications, etc.

## SPECIFICATIONS

### HOUSING

Aluminum alloy

### AMBIENT TEMPERATURE

Suitable for use in -40°C to 55°C (-40°F to 131°F)

### MOUNTING

Aircraft cable included or Pendant mount

### EFFICACY

Up to 136 lumens per watt (see individual wattage data)

### CCT AND CRI

4000K and 5000K CCT available; 80CRI

### LENS

Frosted diffuser polycarbonate lens

### WARRANTY

10-year limited warranty. Comprehensive warranty terms can be located on [www.slgus.com](http://www.slgus.com).

### ELECTRICAL

Class 2 Constant Current Driver efficiency (90% standard); 50/60Hz available in 120-277V or 347-480V; 0-10V Dimming standard.

### ENERGY DATA

Power factor above 90%.

### FINISH

White coat finish

### CERTIFICATIONS

UL Listed for damp locations. FCC compliant. RoHs compliant. Design Lights Consortium® (DLC) Premium 5.1 qualified product. With **MSB-ACI-01** motion sensor: DLC Network Lighting Controls qualified system (SLG Sync) N-EPBK41

Due to continuous product improvements, specification and/or equipment updates may change without notice.

ORDERING GUIDE		EXAMPLE: HE 120 G2 4K				
Luminaire Type	Lumen Output (wattage shown for reference)	Optic Lens	Generation	Voltage	CCT	Finish
<b>HE</b> Lensed High Bay	<b>120</b> 12,200 Lumens (90W)	<b>BLANK=</b> Frosted Lens	<b>G2</b>	<b>BLANK=</b> 120-277V <b>HVU</b> 347-480V	<b>4K</b> 4000K <b>5K</b> 5000K	<b>BLANK=</b> White
	<b>170</b> 17,400 Lumens (130W)					
	<b>360</b> 35,500 Lumens (270W)					
	<b>400</b> 39,500 Lumens (300W)					
	<b>500</b> 49,500 Lumens (370W)					

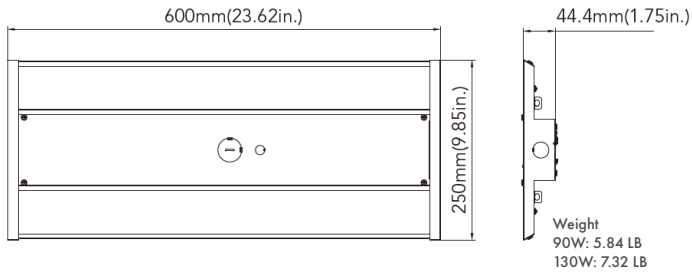
OPTIONS				
Individual Control	Emergency Backup	Surge Protector	Cord Sets	Wire Guard & Accessories
<p><b>BLANK=</b> No Motion Sensor</p> <p><b>MS-ACI-01=</b> Motion Sensor 120-277V (Choose 1 lens below)</p> <p><b>MSB-ACI-01=</b> Motion Sensor 120-277V (Choose 1 lens below)</p> <p><b>MSB-13-L3=</b> 2x Lens (Max 20ft Mounting Height)</p> <p><b>MSB-13-L7=</b> 2.5x Lens (Max 40ft Mounting Height)</p> <p><b>RM51=</b> Remote Control (for the MS-ACI-01)</p>	<p><b>BLANK=</b> No Emergency Backup</p> <p><b>EL UNV-8W=</b> 8W Emergency Battery Kit</p> <p><b>EL UNV-16W-NHB=</b> 16W Emergency Battery Kit</p> <p><b>EMA-LH40D-HVU-400=</b> HVU Backup Battery</p>	<p><b>SPD-277=</b> 5KA/10KV Surge Protection device, single phase protection with 120-277V input</p> <p><b>SPD-480=</b> 10KA/20KV Surge Protection device, single phase protection with 277-480V input</p>	<p><b>BLANK</b> Standard 1.5ft Black, White, Green lead wires</p> <p><b>CS1</b> 6 ft power cord, Straight Cord, 18 gauge, 3 conductors, Black, Voltage will match fixture</p> <p><b>CS2</b> 6 ft power cord, Twist-Lock Plug Type, 3 conductors, Black, Optional with L5-15P, L5-20P, L6-15P, L7-15P, L7-20P, L8-20P. Gauge and voltage will match fixture. (Please confirm with SLG Sales before placing the order)</p> <p><b>CS3</b> 6 ft power cord, 12 Gauge, 3 conductors, MC Solid Cable, No Plug, Voltage will match fixture</p> <p><b>CS4</b> 6 ft power cord, 16 Gauge, 3 conductors, SO Black Cord, No Plug, Voltage will match fixture</p> <p><b>CS5</b> 6 ft power cord, 18 Gauge, 5 conductors (Bring dimming leads out of fixture), Black cord, No Plug, Voltage will match fixture</p>	<p><b>WG-HE12</b> Wire Guard for 1' X 2' (HE 120/170) (2pcs for each fixture)</p> <p><b>WG-HE22</b> Wire Guard for 2' X 2' (HE 290) (2pcs for each fixture)</p> <p><b>WG-HE24</b> Wire Guard for 2' X 4' (HE 360/400/500) (2pcs for each fixture)</p> <p><b>HE-PM=</b> Pendant Monopoint Splice Box for HE 290</p> <p><b>HL-PM=</b> Pendant Monopoint Splice Box for HE 360, 400, 500</p>

Wattage	Approx. Lumen Output	Equivalence	Recommended Mounting Height
90W	12,400	175W MH, 4-lamp T8 HBF, 2-lamp T5HO	15-25 ft
130W	17,600	250W MH, 6-lamp T8 HBF, 4-lamp T5HO	15-25 ft
210W	30,000	575W MH, 10-lamp T8 HBF	30-50 ft
270W	36,000	750W MH, 8-lamp T5HO	30-50 ft
300W	40,000	875W MH, 10-lamp T5HO	30-50 ft
370W	50,350	1000W MH	30-50 ft

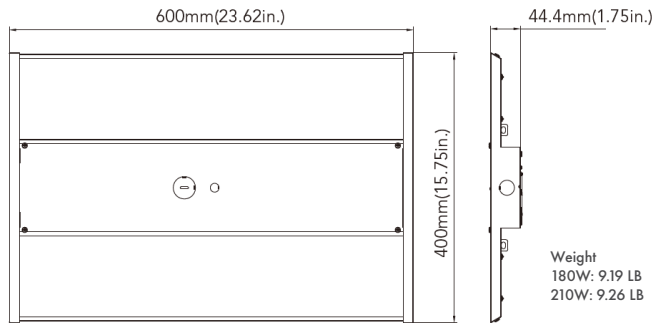
Due to continuous product improvements, specification and/or equipment updates may change without notice.

## DIMENSIONS

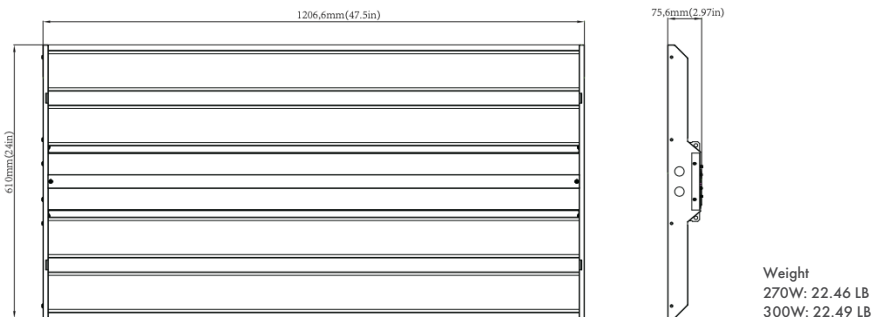
### HE 120 / HE 170



### HE 290

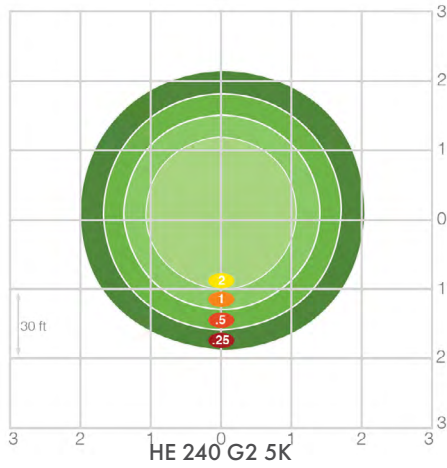


### HE 360 / HE 400 / HE 500



Due to continuous product improvements, specification and/or equipment updates may change without notice.

### PHOTOMETRIC



Mounting Height	20	25	30	35	40
Multiplier	2.3	1.4	1.0	0.7	0.6

### PERFORMANCE COMPARISON

Product Series	Wattage	Lumens	Efficacy (Lm/W)	Voltage	DLC
HE 120 G2	90W	12,600 Lm	140 Lm/W	120-277V 347-480V	Premium
HE 170 G2	130W	18,500 Lm	142 Lm/W	120-277V 347-480V	Premium
HE 290 G2	210W	30,000 Lm	143 Lm/W	120-277V 347-480V	Premium
HE 360 G2	270W	37,000 Lm	137 Lm/W	120-277V	Premium
HE 400 G2	300W	41,500 Lm	138 Lm/W	120-277V	Premium
HE 500 G2	370W	50,500 Lm	136 Lm/W	120-277V	Premium

Due to continuous product improvements, specification and/or equipment updates may change without notice.

ELECTRICAL LOAD

		Current (A)					
		120V	208V	240V	277V	347V	480V
Series Number	Wattage						
HE 120 G2 5K	90W	0.75	0.43	0.38	0.32	0.26	0.19
HE 170 G2 5K	130W	1.08	0.63	0.54	0.47	0.37	0.27
HE 290 G2 5K	210W	1.75	1.01	0.88	0.76	0.61	0.44
HE 360 G2 5K	270W	2.25	1.30	1.13	0.97	0.78	0.56
HE 400 G2 5K	300W	2.50	1.44	1.25	1.08	0.86	0.63
HE 500 G2 5K	370W	3.08	1.78	1.54	1.34	1.07	0.77

PROJECTED LUMINAIRE MAINTENANCE

Ambient Temperature	Operating Hours					
	0	10,000	25,000	50,000	75,000	100,000
25°C / 77°F	1	0.98	0.95	0.86	0.79	0.72

AMBIENT TEMPERATURE RATING

Mounting	Suspended	Surface
Standard Temperature Rating	131°F / 55°C	113°F / 45°C

PROJECTED LUMINAIRE MAINTENANCE

Ambient Temperature		Lumen Multiplier
0°C	32°F	1.03
5°C	41°F	1.03
10°C	50°F	1.021
15°C	59°F	1.01
20°C	68°F	1.01
25°C	77°F	1.00
30°C	86°F	.98
35°C	95°F	.89
40°C	104°F	.79

Due to continuous product improvements, specification and/or equipment updates may change without notice.

## Bluetooth Sensor

# AC INTEGRATED BLUETOOTH SENSOR & CONTROLLER

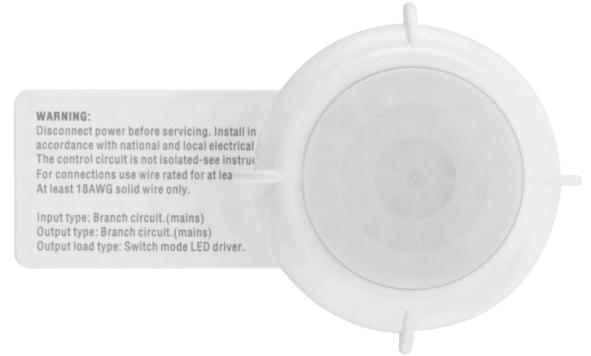
### Description:

Our AC powered integrated wireless, Bluetooth High Bay sensor. This sensor provides 360° coverage at heights ranging from 20-40ft. Download our SLG Sync app on IOS/android for easy commissioning, convient controls, and a total lighting network experience.



### Features:

- Luminaire Level Lighting Control (LLLC) enabled with wireless bluetooth technology.
- Replaceable Mid Bay or High Bay lens options.
- 120-277V Line Voltage input.
- Local Bluetooth Network - no gateway needed.
- Occupancy and Daylight Harvesting.
- Individual Addressability and/or Grouping
- Multi-level dimming: Manual ON/OFF Automatic ON/OFF, and Automatic Partial ON/OFF control capability
- Ability to create scenes for more customized dimming scenarios
- High-Trim/Tuning sets the maximum light level based on customer requirements in each space
- Check [www.slgus.com/slg-sync](http://www.slgus.com/slg-sync) for SLG Lighting fixture compatibility.
- 5 Year Warranty



**MSB-ACI-01** Motion sensor  
*(pictured with High Bay lens)*

### Motion Sensor Accessories:



**MSB-13-L7**  
High Bay Lens



**MSB-13-L3**  
Medium Bay Lens

### Ordering Information:

#### Sensor/Controller

Product Number	Description
MSB-ACI-01	AC, Integrated - Bluetooth Wireless Sensor & Controller

#### Accessories

Product Number	Description
MSB-13-L7	High Bay lens, 1.3" fitting, 20-40ft mounting height, max 80ft diameter coverage
MSB-13-L3	Medium Bay lens, 1.3" fitting, 8-20ft mounting height, max 50ft diameter coverage



### App Download:



### Commissioning:

SLG Sync mobile App is the easiest way to pair devices, create groups, set scenes, set schedules, dimming, color tuning, and adjust high trim based on needs.

Visit [www.slgus.com/slgsync](http://www.slgus.com/slgsync) for How-to-Videos and a comprehensive commissioning guide.



Due to continuous product improvements, specification and/or equipment updates may change without notice.

# Specifications

**Input Voltage**  
AC120-277V

**Output Voltage**  
AC120-277V

**Bluetooth Transmit**  
100 ft. Max

**Detection Range**  
32 - 80 ft

**Frequency**  
50/60Hz

**Output Current**  
6A Max @ 120V, 2.5A Max @ 277V

**Radio Frequency**  
2.4 GHz +- 75 MHz

**Operating Temperature**  
-30°C to 55°C (-22°F to 131°F)

**Input Current**  
6A Max @ 120V, 2.5A Max @ 277V

**Output Power**  
700W Max

**Mounting Height**  
20 - 40 ft

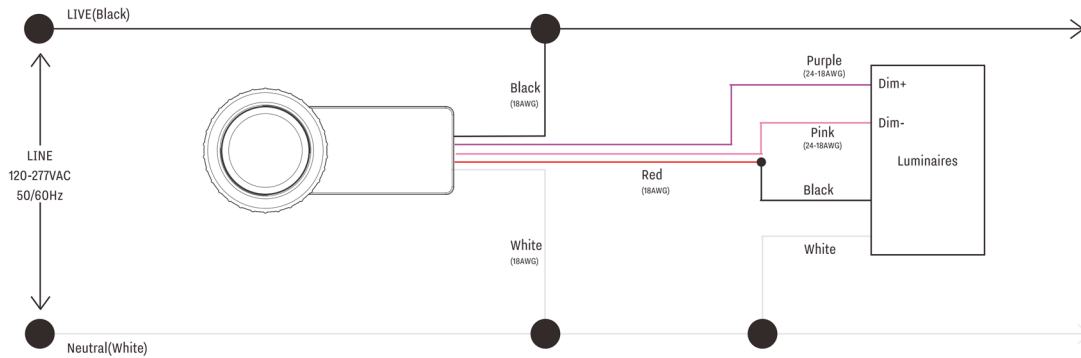
**Warranty**  
5 Year warranty

**Input Power**  
700W Max

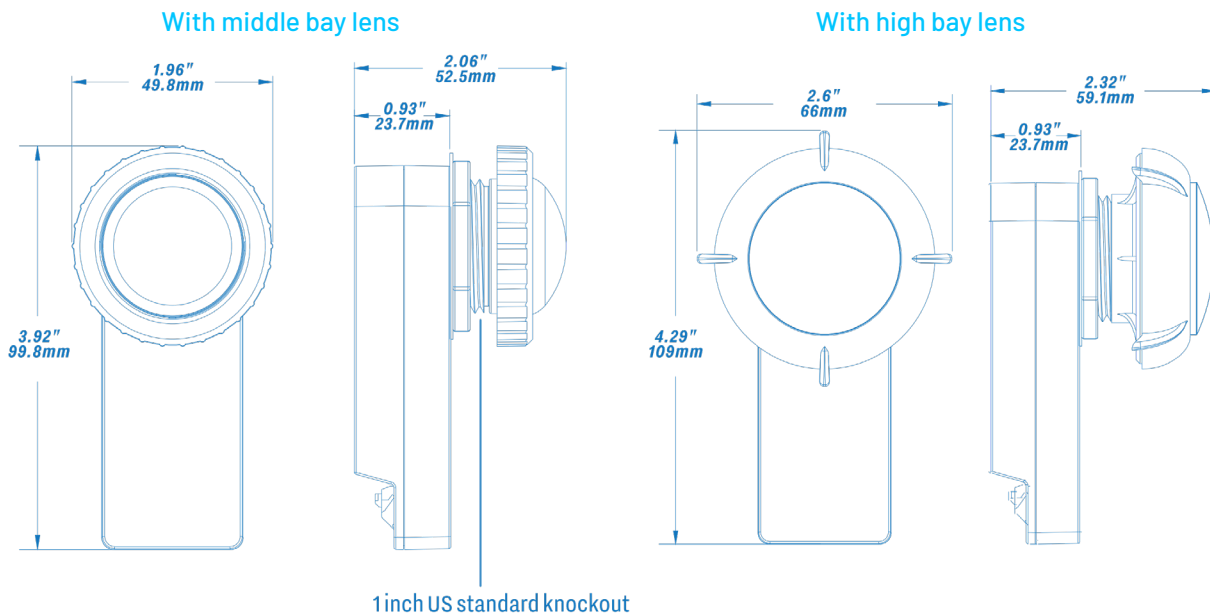
**Sinking Current**  
10mA Max

**Dimming**  
0-10V DC 10mA Max

# Wiring



# Dimensions



Due to continuous product improvements, specification and/or equipment updates may change without notice.

# Basic Integrated High Bay Sensor

## AC INTEGRATED SENSOR & CONTROLLER

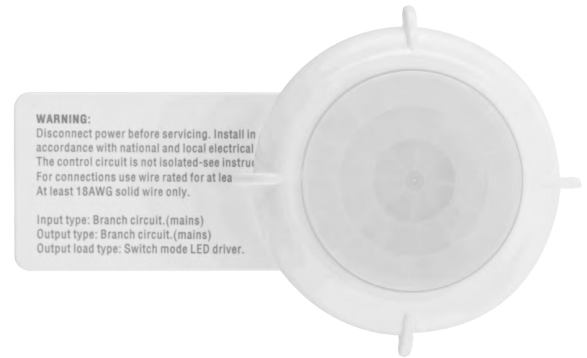
### Description:

Our AC powered, integrated high bay sensor and controller fit for a 4/3" knock out hole - making it a perfect pre-installed/pre-commissioned controls option. Rated for indoor/outdoor use, this sensor provides many solutions.



### Features:

- Built-in analog sensor.
- Replaceable Mid Bay or High Bay lens options.
- 120-277V Line Voltage input.
- IR Remote Controlled/Commissioned
- Multi-level dimming: Manual ON/OFF Automatic ON/OFF, and Automatic Partial ON/OFF control capability
- Check [www.slgus.com/slg-sync](http://www.slgus.com/slg-sync) for SLG Lighting fixture compatibility.
- 5 Year Warranty



**MS-ACI-01** Motion sensor  
(pictured with High Bay lens)

### Motion Sensor Accessories:



**MSB-13-L7**  
High Bay Lens



**MSB-13-L3**  
Medium Bay Lens

### Ordering Information:

#### Sensor/Controller

Product Number	Description
MS-ACI-01	AC, Integrated - Wireless Sensor & Controller

#### Accessories

Product Number	Description
MSB-13-L7	High Bay lens, 1.3" fitting, 20-40ft mounting height, max 80ft diameter coverage
MSB-13-L3	Medium Bay lens, 1.3" fitting, 8-20ft mounting height, max 50ft diameter coverage

Due to continuous product improvements, specification and/or equipment updates may change without notice.



# Specifications

**Input Voltage**  
AC120-277V

**Output Voltage**  
AC120-277V

**Mounting Height**  
20-40 ft

**Operating Temperature**  
-30°C to 65°C (-22°F to 149°F)

**Frequency**  
50/60Hz

**Output Current**  
6A Max @ 120V, 2.5A Max @ 277V

**IP Rating**  
IP66

**Warranty**  
5 Year warranty

**Input Current**  
6A Max @ 120V, 2.5A Max @ 277V

**Output Power**  
700W Max

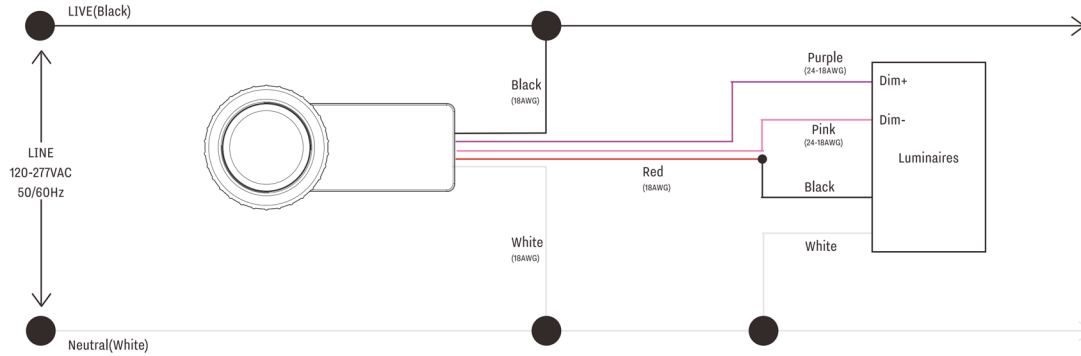
**Dimming**  
0-10V DC 10mA Max

**Input Power**  
700W Max

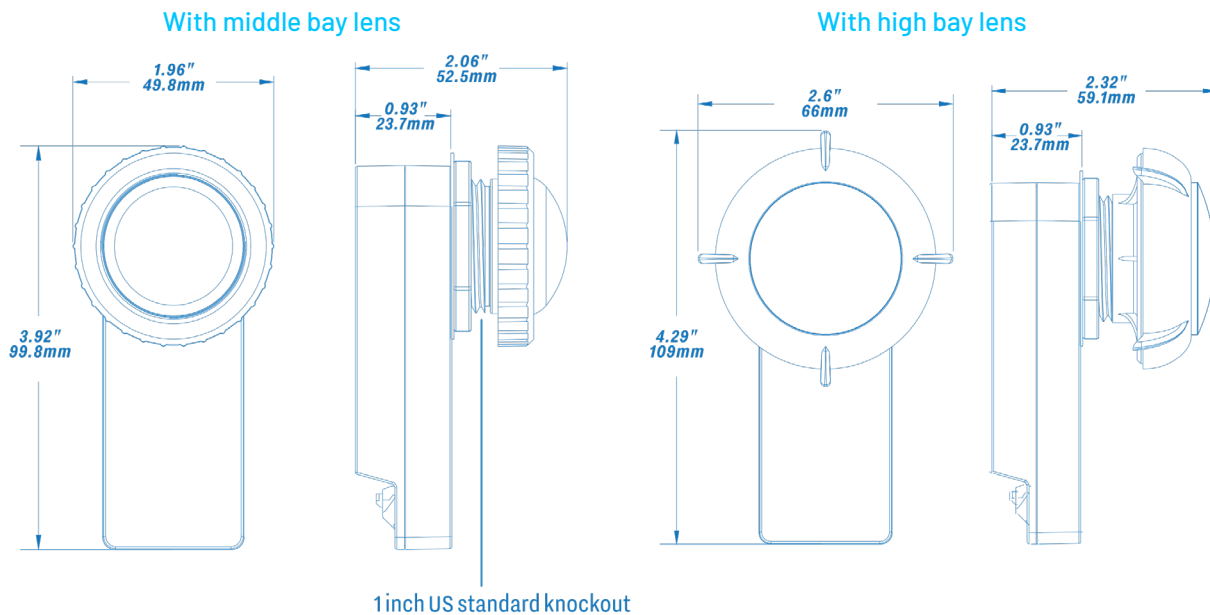
**Sinking Current**  
10mA Max

**Detection Range**  
32 - 80 ft

# Wiring



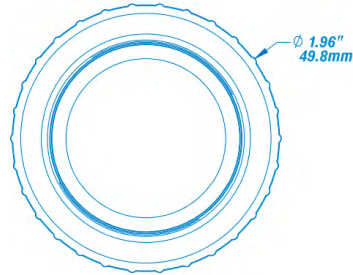
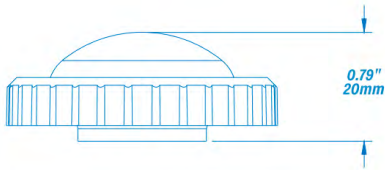
# Dimensions



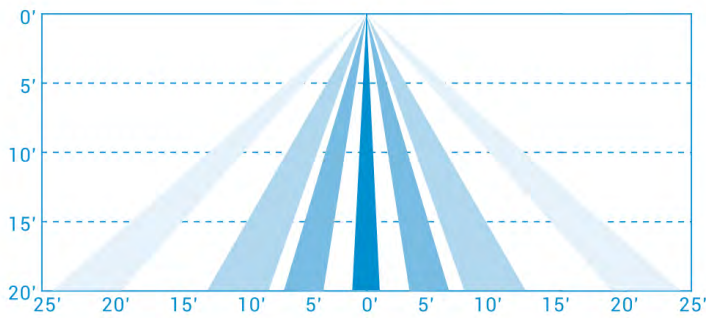
Due to continuous product improvements, specification and/or equipment updates may change without notice.

# Lens Options

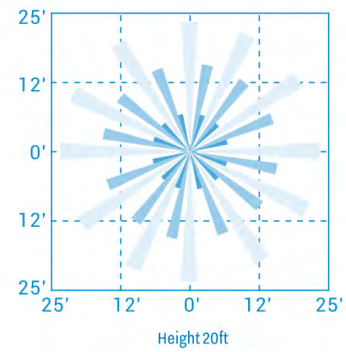
## Medium Bay Lens: MSB-13-L3 (1.3" fitting)



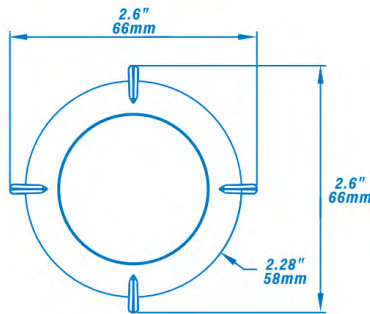
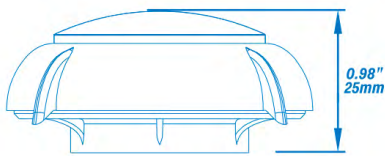
Coverage Side View



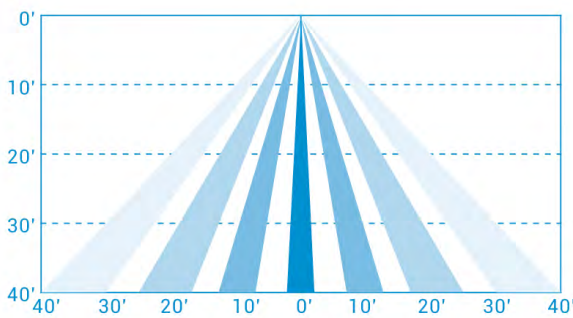
Coverage Top View



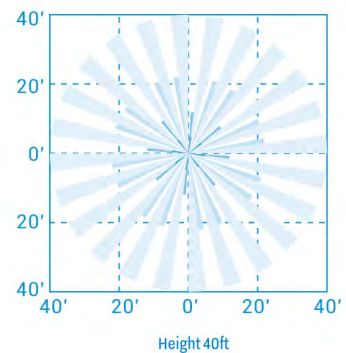
## High Bay Lens: MSB-13-L7 (1.3" fitting)



Coverage Side View



Coverage Top View



# Remote Instruction

## Memory Mode (Commissioning) To Begin Commissioning, Follow The Steps Below:

1. Select either A, B, C, D.
2. Indicator lights on the remote will flash to indicate the current saved settings.
3. Settings can be configured by pressing appropriate buttons in the highlighted gray area of the remote. (TRIM-LEVEL, SENSITIVITY, HOLD TIME, STANDBY DIM, STANDBY TIME, and PHOTOCELL). Review selected settings and make changes as necessary.
4. Point IR remote to desired luminaire for configuration and press "SEND".
5. If configuration is successful, luminaire will flash two times suggesting settings are saved. Any parameter change to the current saved settings on A to F will override previous settings and will be automatically saved on the remote. If configuring multiple luminaires, select configured memory mode A to E then follow steps 4 and 5.

\*\*\* E Mode allows visual adjustment to choose the desired dimming level.

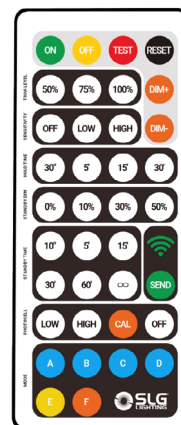
## Continuous Adjustment Mode or Daylight Harvesting (F Mode) enables dimmability in response to daylight availability.

1. Point IR remote to desired luminaire.
2. Press "ON" then press DIM + or DIM- to adjust dimming level.
3. Press "F", indicator lights on the remote will indicate current saved settings. Note: only TRIM-LEVEL, SENSITIVITY, and HOLD TIME can be selected for Daylight Harvesting settings.
4. Review selected settings and make changes as necessary. Press "SEND".
5. If configuration is successful, luminaire will flash twice to confirm setting saved. If configuring multiple luminaires, select the configured DAYLIGHT HARVESTING settings then follow steps 4 and 5.

## Reset Mode

Default Settings: Motion > 100%, No Motion >= 5min > DIM to 30%, No Motion >= 60min > Off

ON	Turns ON Luminaires
OFF	Turns OFF Luminaires
TEST	Test mode will last 5 mins then return to previous setting. Test mode will hold time 2 seconds SDL 50% and standby time 2 seconds
RESET	Trim High=100%, sensitivity=High, T1=5min, Standby Dim=30%, T2=60min, Photocell=OFF
DIM +/-	Remote will manually dim luminaire up or down by increments of 0.5 volts. Must be smooth dimming if holding dimming button.
TRIM-LEVEL	Set Maximum threshold value 50/75/100%
SENSITIVITY	OFF (PIR OFF Enter PC ON/OFF function) /LOW (50%) /HIGH (100%)
HOLD TIME	(time of no occupancy after which fixture goes to standby) 30s / 5min / 15min / 30min
F MODE DAYLIGHT HARVESTING	(Enable/Disable) Measure and set feature to allow the fixture to maintain a light level. If turned ON.
STANDBY DIM	( Standby Time - 10s / 5min / 15min / 30min / 1h / ∞ ) "∞" means the stand-by time is infinite and the fixture is effectively controlled by the daylight sensor.
PHOTOCELL	LOW (1fc) / high (50fc) / CAL Collecting The Current Lux Level OFF
MODE	Set settings to a Program profile A to F
SEND	Send settings to sensor
DEFAULT MODE A	Trim-High=100%, sensitivity=low, T1=30min, Standby Dim=50%, T2= ∞, Photocell=CAL
DEFAULT MODE B	Trim-High=100%, sensitivity=low, T1=30min, Standby Dim=50%, T2= 15min, Photocell=CAL
DEFAULT MODE C	Trim-High=100%, sensitivity=low, T1=30min, Standby Dim=50%, T2=15min, Photocell=OFF
DEFAULT MODE D	Trim-High=100%, sensitivity=low, T1=30min, Standby Dim=50%, T2=30min, Photocell=CAL
DEFAULT MODE E	Manual Mode, Trim-High=100%
DEFAULT MODE F	Daylight Harvesting, Trim-Low=50%, Sensitivity=low, T1=15min



Due to continuous product improvements, specification and/or equipment updates may change without notice.