

FSS

LED Flood Light - Slim Selectable Series



OVERVIEW

The **FSS LED Flood Lights Series** is a budget friendly, lumen/CCT selectable flood light series featuring a SKU saving, impressive range of lumen outputs between 3 different sized flood lights. Each size offers 2 mounting options for a variety of lighting applications. A preinstalled, low voltage photocell comes standard for easy, fast installation and reduced wiring mistakes.

FEATURES

HOUSING

One-piece die-cast aluminum housing with optimal thermal management and glass lens.

AMBIENT TEMPERATURE

Suitable for use in -40°C to 40°C (-40°F to 104°F).

MOUNTING

FSS LS1 and LS2 (Small and Medium) - 1/2" Knuckle Mount or Trunnion Mount

FSS LS3 (Large) - Slipfitter Mount or Trunnion Mount

LUMENS

Selectable lumen outputs ranging from 1,600 - 18,000 Lm.

CCT AND CRI

Selectable 3000K/4000K/5000K CCT; 70 CRI

OPTICS

A high-reflective, white reflector and tempered glass.

DISTRIBUTION

NEMA 7H x 7W.

ELECTRICAL

Standard input voltage 120-277V with 1-10V dimming.

WARRANTY

5-year limited warranty.

CERTIFICATIONS

UL Listed for wet locations. FCC compliant. RoHs compliant. Design Lights Consortium® (DLC) Premium 5.1 qualified product.

Catalog Number	Description	Lumens	Watts	CCT	Voltage
FSS LS1 G1 FSK	LED Flood light - Small - 1/2" Knuckle Mount	Selectable 1,600 - 3,600 Lm	Selectable 11 - 27 W	Selectable 3000K - 5000K	120V - 277V
FSS LS1 G1 FSK T	LED Flood light - Small - Trunnion Mount	Selectable 1,600 - 3,600 Lm	Selectable 11 - 27 W	Selectable 3000K - 5000K	120V - 277V
FSS LS2 G1 FSK	LED Flood light - Medium - 1/2" Knuckle Mount	Selectable 3,900 - 9,400 Lm	Selectable 28 - 66 W	Selectable 3000K - 5000K	120V - 277V
FSS LS2 G1 FSK T	LED Flood light - Medium - Trunnion Mount	Selectable 3,900 - 9,400 Lm	Selectable 28 - 66 W	Selectable 3000K - 5000K	120V - 277V
FSS LS3 G1 FSK S	LED Flood light - Large - Slipfitter Mount	Selectable 8,500 - 18,000 Lm	Selectable 53 - 123 W	Selectable 3000K - 5000K	120V - 277V
FSS LS3 G1 FSK T	LED Flood light - Large - Trunnion Mount	Selectable 8,500 - 18,000 Lm	Selectable 53 - 123 W	Selectable 3000K - 5000K	120V - 277V

ORDERING GUIDE ORDERING EXAMPLE: FSS LS1 G1 FSK

Luminaire	Lumen Output	Generation	Voltage	CCT	Finish	+ Mounting	Wire Guards (ship seperately)
FSS LED Flood light	LS1 1,600 Lm - 11 W 2,200 Lm - 16 W 2,800 Lm - 20 W 3,600 Lm - 27 W	G1 Gen 1	BLANK 120-277V	FSK Selectable 3000K/ 4000K/ 5000K	BLANK Dark Bronze	LS1 and LS2 Mounting BLANK 1/2" Knuckle Mount T Trunnion Mount	LS1 Wire guard WG-FSS LS1 Wire Guard for FSS LS1 - 1 pc.
	LS2 Wire guard WG-FSS LS2 Wire Guard for FSS LS2 - 1 pc.						
	LS3 8,500 Lm - 53 W 11,200 Lm - 71 W 15,100 Lm - 99 W 18,000 Lm - 123 W					LS3 Mounting S Slipfitter Mount T Trunnion Mount	LS3 Wire guard WG-FSS LS3 Wire Guard for FSS LS3 - 1 pc.

MOUNTING OPTIONS



FSS LS1 G1 FSK
1/2" Knuckle Mount



FSS LS1 G1 FSK T
Trunnion Mount



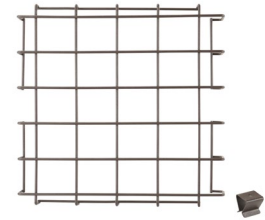
WG-FSS LS1
*Wire Guard for FSS LS1
(ships separately)*



FSS LS2 G1 FSK
1/2" Knuckle Mount



FSS LS2 G1 FSK T
Trunnion Mount



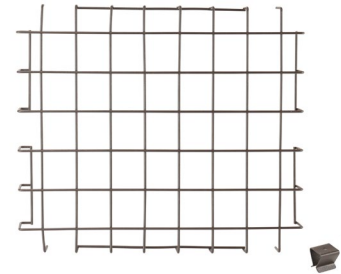
WG-FSS LS2
*Wire Guard for FSS LS2
(ships separately)*



FSS LS3 G1 FSK S
Slipfitter Mount



FSS LS3 G1 FSK T
Trunnion Mount



WG-FSS LS3
*Wire Guard for FSS LS3
(ships separately)*

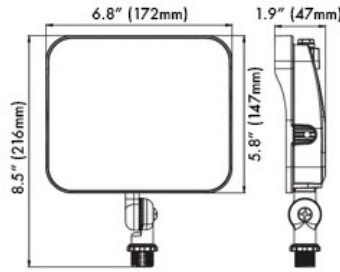
PRODUCT DIMENSIONS

FSS LS1 G1 FSK

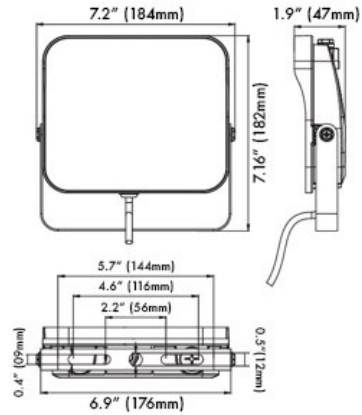
Weight: 1.77 lbs (Knuckle mount)

1.92 lbs (Trunnion mount)

1/2" Knuckle Mount



Trunnion Mount

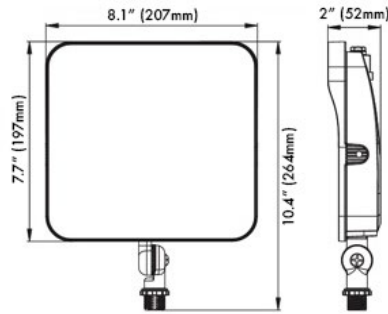


FSS LS2 G1 FSK

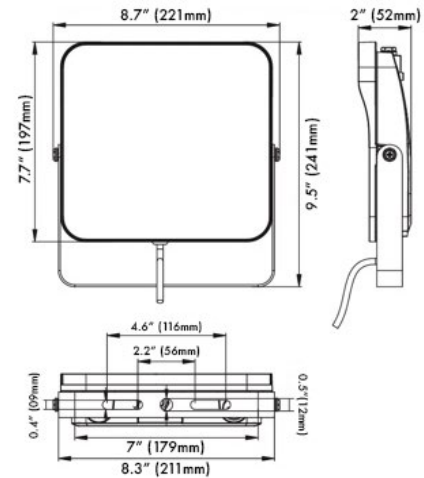
Weight: 2.87 lbs (Knuckle mount)

3.13 lbs (Trunnion mount)

1/2" Knuckle Mount



Trunnion Mount

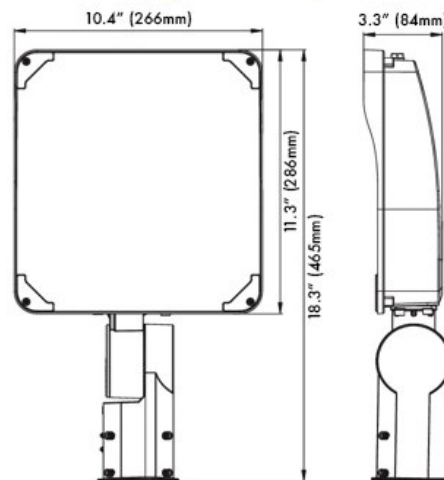


FSS LS3 G1 FSK

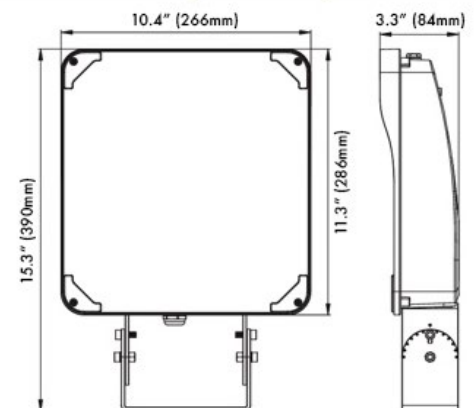
Weight: 8.05 lbs (Slipfitter mount)

7.39 lbs (Trunnion mount)

Slipfitter Mount

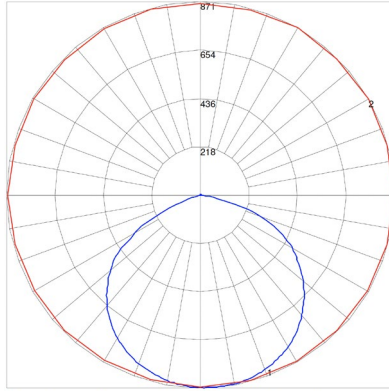


Trunnion Mount



PHOTOMETRIC

FSS LS1 G1 FSK



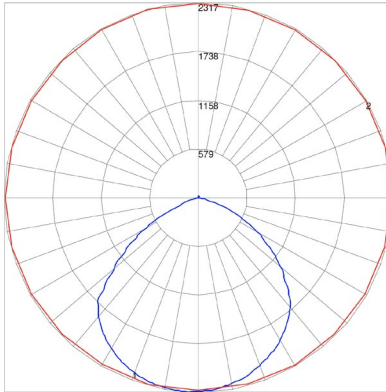
Maximum Candela = 871.38 Located At Horizontal Angle = 60, Vertical Angle = 4
 # 1 - Vertical Plane Through Horizontal Angles (60 - 240) (Through Max. Cd.)
 # 2 - Horizontal Cone Through Vertical Angle (4) (Through Max. Cd.)

Selectable Settings
Mid - 2,856 LM - Wattage (16W)
 CCT setting 4000K

ZONAL LUMEN SUMMARY

ZONE	LUMENS	%FIXT	ZONE	LUMENS	%FIXT
0-20	321.22	13.60	60-80	304.70	12.90
0-30	690.42	29.20	70-80	54.02	2.30
0-40	1145.7	48.40	80-90	2.72	0.10
0-60	2047.03	86.50	90-110	0.50	0.00
0-80	2351.73	99.40	90-120	1.99	0.10
0-90	2354.45	99.50	90-130	4.07	0.20
10-90	2272.03	96.00	90-150	8.72	0.40
20-40	824.48	34.80	90-180	12.27	0.50
20-50	1304.57	55.10	110-180	11.76	0.50
40-70	1152.00	48.70	0-180	2366.72	100.00

FSS LS2 G1 FSK



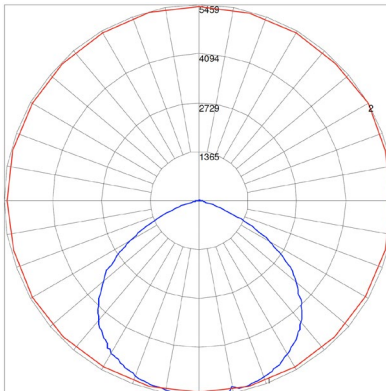
Maximum Candela = 2316.793 Located At Horizontal Angle = 105, Vertical Angle = 4
 # 1 - Vertical Plane Through Horizontal Angles (105 - 285) (Through Max. Cd.)
 # 2 - Horizontal Cone Through Vertical Angle (4) (Through Max. Cd.)

Selectable Settings
Mid - 5,937 LM - Wattage (41W)
 CCT setting 4000K

ZONAL LUMEN SUMMARY

ZONE	LUMENS	%FIXT	ZONE	LUMENS	%FIXT
0-20	851.89	13.90	60-80	773.81	12.70
0-30	1825.18	29.90	70-80	161.00	2.60
0-40	3019.26	49.40	80-90	10.55	0.20
0-60	5289.58	86.50	90-110	4.72	0.10
0-80	6063.39	99.20	90-120	9.38	0.20
0-90	6073.93	99.40	90-130	15.45	0.30
10-90	5854.9	95.80	90-150	28.83	0.50
20-40	2167.36	35.50	90-180	39.24	0.60
20-50	3403.05	55.70	110-180	34.53	0.60
40-70	2883.13	47.20	0-180	6113.18	100.00

FSS LS3 G1 FSK



Maximum Candela = 5458.57 Located At Horizontal Angle = 30, Vertical Angle = 8
 # 1 - Vertical Plane Through Horizontal Angles (90 - 270) (Through Max. Cd.)
 # 2 - Horizontal Cone Through Vertical Angle (8) (Through Max. Cd.)

Selectable Settings
Max - 18,092 LM - Wattage (123W)
 CCT setting 4000K

ZONAL LUMEN SUMMARY

ZONE	LUMENS	%FIXT	ZONE	LUMENS	%FIXT
0-20	2651.92	13.70	60-80	2386.9	12.40
0-30	5717.89	29.60	70-80	476.47	2.50
0-40	9510.98	49.30	80-90	34.74	0.20
0-60	16780.98	87.00	90-110	0.95	0.0
0-80	19167.88	99.30	90-120	11.07	0.10
0-90	19202.62	99.50	90-130	27.36	0.10
10-90	18523.77	96.00	90-150	64.91	0.30
20-40	6859.06	35.50	90-180	94.65	0.50
20-50	10809.1	56.00	110-180	93.70	0.50
40-70	9180.43	47.60	0-180	19297.27	100.00

PERFORMANCE DATA

5000K

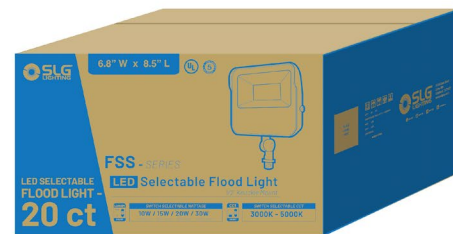
PRODUCT NUMBER	WATTAGE	LUMENS	EFFICACY	VOLTAGE
FSS LS1 G1 FSK	11 W	1690	154	120-277V
	16 W	2234	140	
	20 W	2856	143	
	27 W	3672	136	
FSS LS2 G1 FSK	28 W	3963	142	120-277V
	41 W	5937	145	
	54 W	7824	145	
	66 W	9438	143	
FSS LS3 G1 FSK	53 W	8581	162	120-277V
	71 W	11206	158	
	99 W	15119	153	
	123 W	18092	147	

ELECTRICAL LOAD

PRODUCT NUMBER	WATTAGE	Current (A)			
		120V	208V	240V	277V
FSS LS1 G1 FSK	11 W	.09	.05	.05	.04
	16 W	.13	.08	.07	.06
	20 W	.17	.10	.08	.07
	27 W	.23	.13	.11	.10
FSS LS2 G1 FSK	28 W	.23	.13	.12	.10
	41 W	.34	.20	.17	.15
	54 W	.45	.26	.23	.19
	66 W	.55	.32	.28	.24
FSS LS3 G1 FSK	53 W	.44	.25	.22	.19
	71 W	.59	.34	.30	.26
	99 W	.83	.48	.41	.36
	123 W	1.03	.59	.51	.44

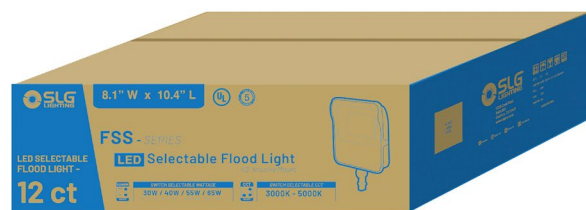
SHIPPING INFORMATION

FSS LS1 G1 FSK



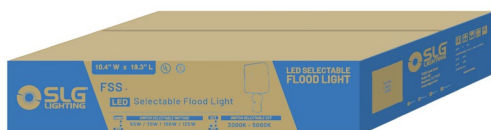
Product number	Individual box size	Individual box weight	# per carton	Carton box size	Carton box weight
FSS LS1 G1 FSK	8.9" X 7" X 2"	1.88 lbs	20	18.5" X 14.75" X 11"	39.66 lbs
FSS LS1 G1 FSK T	7.5" X 7.5" X 2"	2.02 lbs	20	15.6" X 15.6" X 11"	42.4 lbs

FSS LS2 G1 FSK



Product number	Individual box size	Individual box weight	# per carton	Carton box size	Carton box weight
FSS LS2 G1 FSK	10.7" X 8.2" X 2.2"	3.02 lbs	12	22.25" X 17.15" X 7.3"	38.6 lbs
FSS LS2 G1 FSK T	10" X 8.8" X 2.2"	3.28 lbs	12	20.9" X 18.2" X 7.3"	41.6 lbs

FSS LS3 G1 FSK



Product number	Individual box size	Individual box weight	# per carton
FSS LS3 G1 FSK S	19.3" X 11.8" X 4.13"	9.37 lbs	1
FSS LS3 G1 FSK T	15.2" X 11.8" X 4.13"	8.36 lbs	1

*Box renders are for example/marketing purposes only.