

PROJECT:	_____
CATALOG #:	_____
FIXTURE TYPE:	_____
NOTES:	_____

FFW Flat Flood Light Wave Series



Images are shown for illustration purposes only.

The *FFW Flat Flood Light Wave Series Gen 1* features an exclusive housing design that complements each environment. This modern luminaire is offered in medium and large sizes with lumen packages between 10,046 to 55,860 lumens. Boasting an advanced heatsink and leading surge protection, this luminaire also provides superior light distribution, visual comfort, and uniformity in its optical design.



APPLICATIONS

Building Facades, Auto Dealerships, Parking Lots, Parks & Recreation, etc.



SPECIFICATIONS

CONSTRUCTION

Manufactured die-cast aluminum housing includes advanced thermal design and housing that is completely sealed against moisture and environmental contaminants. Low profile, compact design carries 3G vibration rating per ANSI C136.31.

AMBIENT TEMPERATURE

Suitable for use in -40°C to 45°C (-40°F to 113°F)

MOUNTING

Mounting options include Square and Round Pole Mount, Wall Mount, Trunnion Mount, and Adjustable Slipfitter Mount.

LUMEN OUTPUT

Lumen packages ranging from 10,046 to 55,860 lumens

CCT AND CRI

3000K, 4000K and 5000K CCT available; 70CRI

OPTICS

Precision molded secondary NEMA 6H x 7V optics

WARRANTY

10-year limited warranty. 1-year labor warranty. Comprehensive warranty terms can be located on www.slgus.com

ELECTRICAL

Standard 120-277V. Optional HVU 347V/480V. Standard 0-10V Dimming. Class II Driver 50/60Hz with open/short circuit protection. 5KV/10KA (120-277V), 10KV/20KA (347-480V) Surge protector per ANSI/IEEE C62.41.2.

FINISH

Standard Polyester Powder Dark Bronze finish. Optional Black and White finishes available. Custom finishes available.

CERTIFICATIONS

UL Listed for wet locations. FCC compliant. RoHs compliant. DesignLights Consortium® (DLC) Premium 5.1 qualified product. Not all versions of this product may be DLC qualified. Please visit www.slgus.com to confirm which versions are qualified.

Due to continuous product improvements, specification and/or equipment updates may change without notice.

MOUNTING & OPTIONS



AL-SPAR



AL-WMB



AL-SFD



AL-SFD-P1



AL-T



PC-1



MS-FSP-211



L3/L7

ORDERING GUIDE

EXAMPLE: FFW 150 WFL G1 5K

Luminaire Type	Lumen Output	Dist. Type	Generation	Voltage	CCT	Finish	Mount	Options (Pre-Installed)
FFW Wave Flat Flood Light Medium	100 10,250 Lumens	WFL= Wide Flood Light	G1	BLANK= 120-277V HVU= 347-480V	3K* 3000K 4K 4000K 5K 5000K	BLANK= Dark Bronze SG= Silver Gray W= White C**= Custom	AL-SPAR= Square and Round Pole Mount AL-WMB= Wall Mount AL-SFD= Slipfitter Mount AL-SFD-P1= Slipfitter Mount with PC-1 AL-T= Trunnion Mount	PC-1= Twist-lock Photocell (120-277V) PC-2= Twist-lock Photocell (480V) PC-3= 7-Pin receptacle MS-FSP-211= Motion Sensor 120-277V (Choose 1) L3= 2x Lens (Max 20ft Mounting Height) L7= 2.5x Lens (Max 40ft Mounting Height) MS-FSP-221B= Motion Sensor 347-480V† (Choose 1) L3= 2x Lens (Max 20ft Mounting Height) L7= 2.5x Lens (Max 40ft Mounting Height) MS-FSIR-100= Wireless commissioning tool
	150 14,650 Lumens							
	210 22,000 Lumens							
FFW Wave Flat Flood Light Large	340 35,280 Lumens							
	430 44,100 Lumens							
	510 51,450 Lumens							

* Special Order CCT. May require longer lead time.

** For a custom color, please call to place your order.

† Requires 1 MS-FSIR-100 per jobsite.

ADVANCED WIRELESS CONTROL

AVI-LVFA-1CH-12-24VDC-0A 12V DC Single Channel, Bluetooth Controller, Outdoor

AVI-LVFA-1CH-12-24VDC-0A-DC 12V DC Single Channel, Bluetooth Controller, Outdoor with Sensor

DIM10-087-06 12VDC Single Channel, Cloud Based Controller

RECOMMENDED REPLACEMENT & MOUNTING HEIGHT

Wattage	Lumen Range	Equivalence	Mounting Height
70W	10,150	150W MH	0-20'
100W	14,500	250W MH	0-20'
150W	21,750	400W MH	0-30'
200W	29,000	400W MH	0-30'
240W	34,800	750W MH	0-35'
300W	43,500	1000W MH	0-35'
350W	50,750	1000W MH	0-35'
380W	55,100	1000W MH	0-35'

Due to continuous product improvements, specification and/or equipment updates may change without notice.

ADVANCED WIRELESS CONTROL



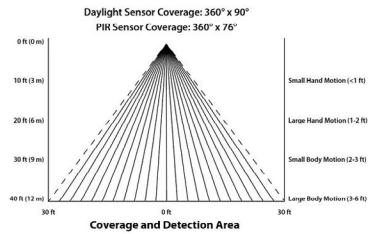
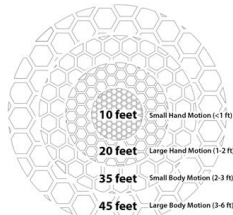
AVI-LVFA-12-24VDC-OA
Low Voltage Fixture Adapter with Antenna

The **LVFA** series fixture adapter mounts inside lighting fixtures providing addressability for each luminaire. This low voltage fixture adapter is ideal for controlling any lighting fixture that utilizes 0-10V dim-to-off drivers.

Input Voltage	0-10V Dimming Max. Load	Point to Point Range	Ambient Operating Temperature
12-24V DC	5mA per Channel	80ft with obstructions 350ft unobstructed	-22°F to 158°F



AVI-DC-PIR
Direct Connect PIR Occupancy & Daylighting Sensor



The **AVI-DC-PIR** sensor provides motion detection and/or daylight harvesting in a single compact unit. Supports a wide array of control strategies including occupancy, vacancy, bi-level, scheduled operation, as well as safety presence detection for UV-C lighting. Compatible with Avi-on Controller.

Application	Height	Time Delay	Ambient Operating Temperature
Fixture & Ceiling Mount	8ft-40ft	15 sec-1hr 30 mins (15 min default) Adjustable via Network	-22°F to 158°F



DIM10-087-06-A
Embedded Wireless Controller with Antenna

The DC powered **DIM10-087-06A** embedded wireless controller can be embedded into nearly any medium to high wattage LED fixture. Dim-to-off compatible with 0-10V dimming.

Application	0-10V Dimming Max. Load	Point to Point Range	Ambient Operating Temperature
5-24V DC	10mA	Outdoor Antenna: 1 mi. line of sight Indoor Antenna: 1,000ft line of sight	-40°F to 185°F

Compatible Sensor: FSP 201B

Due to continuous product improvements, specification and/or equipment updates may change without notice.

BASIC OPTIONS & ACCESSORIES



MS-FSP-211
Dimmable Motion Sensor



MS-FSP-L3/L7
Lens

The **MS-FSP-211** provides multi-level control base on motion and daylight level. IP66 rated when mounted inside the fixture. Requires L3 or L7 lens depending on the mounting height.

Operation Voltage	Shape	Adjustable Time Delay	Fade Down Time	Operating Temperature	Mounting Height For MS-FSP-L3	Mounting Height For MS-FSP-L7
120/277V	Cone	30 sec - 30 min Default 15 min	0-10 sec	-40°F to 158°F (-40°C to 70°C)	Max 20 ft*	Max 40 ft**

* Covers a 40 ft diameter when mounting height is 20 ft. Coverage is equal to 2x the height.

** Covers a 100 ft diameter when mounting height is 40 ft. Coverage is equal to 2.5x the height



MS-FSP-221B
Dimmable Motion Sensor



MS-FSP-L3/L7
Lens



MS-FSIR-100
Commissioning Tool for
MS-FSP-221B

The **MS-FSP-221B** provides multi-level control base on motion and daylight level. IP66 rated when mounted inside the fixture. Requires L3 or L7 lens depending on the mounting height.

Operation Voltage	Shape	Adjustable Time Delay	Fade Down Time	Operating Temperature	Mounting Height For MS-FSP-L3	Mounting Height For MS-FSP-L7
Single Phase 100-347VAC Phase to Phase 208/230/480VAC	Cone	30 sec / 1-30 min Default 5 min	0-60 sec	-40°F to 167°F (-40°C to 75°C)	Max 20 ft*	Max 40 ft**

* Covers a 40 ft diameter when mounting height is 20 ft. Coverage is equal to 2x the height.

** Covers a 100 ft diameter when mounting height is 40 ft. Coverage is equal to 2.5x the height



Twist-lock Photocell

Photocell is mounted to the luminaire by default.

PC-1: 120-277V On/Off Twist-lock Photocell

PC-2: 480V On/Off Twist-lock Photocell

PC-3: 7-Pin receptacle

MOUNTING



AL-SPAR



AL-WMB



AL-SFD



AL-SFD-P1



AL-T

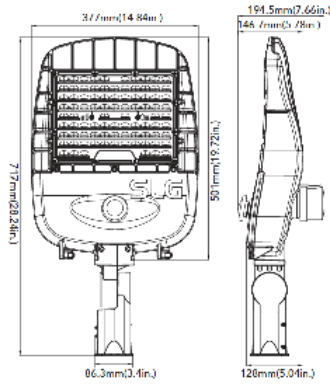
Due to continuous product improvements, specification and/or equipment updates may change without notice.

DIMENSIONS

MEDIUM

70W, 100W, 150W, 200W
Slipfitter Mount

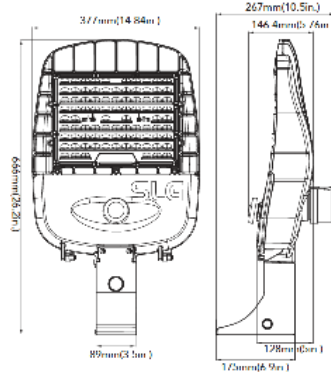
WEIGHT: 13.25 LB



MEDIUM

70W, 100W, 150W, 200W
Pole Mount

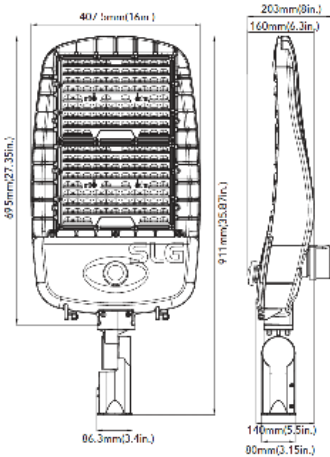
WEIGHT: 13.25 LB



LARGE

240W, 300W, 350W, 380W
Slipfitter Mount

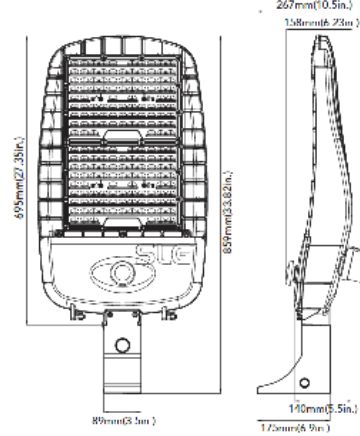
WEIGHT: 20.95 LB



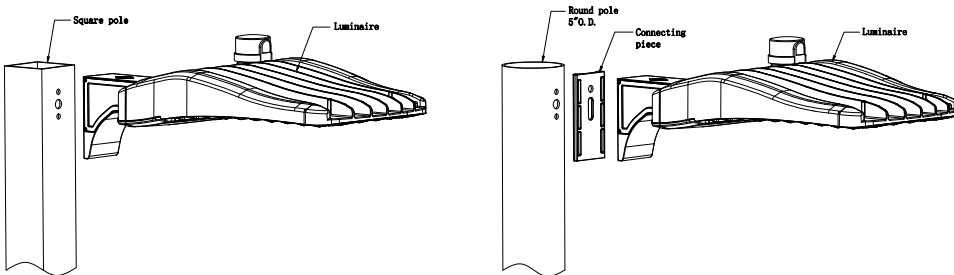
LARGE

240W, 300W, 350W, 380W
Pole Mount

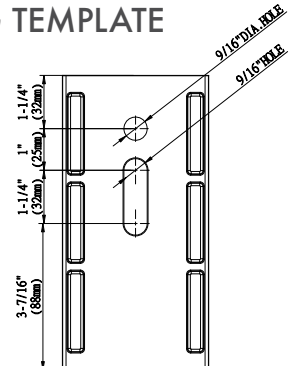
WEIGHT: 20.95 LB



MOUNTING DIMENSIONS



DRILLING TEMPLATE




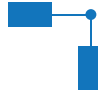



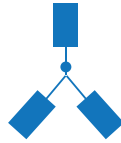
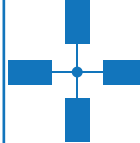
Due to continuous product improvements, specification and/or equipment updates may change without notice.

PERFORMANCE COMPARISON

Wattage	Voltage	Dist. Type	3000K CCT					4000K CCT					5000K CCT				
			Lumen	B	U	G	Efficacy	Lumen	B	U	G	Efficacy	Lumen	B	U	G	Efficacy
70W	120-277V	WFL	10,046	3	0	3	144	10,148	3	0	3	145	10,250	3	0	3	146
	347-480V		10,046	3	0	3	144	10,148	3	0	3	145	10,250	3	0	3	146
100W	120-277V	WFL	14,358	3	0	3	144	14,504	3	0	3	145	14,650	3	0	3	147
	347-480V		14,358	3	0	3	144	14,504	3	0	3	145	14,650	3	0	3	147
150W	120-277V	WFL	21,562	3	0	3	144	21,780	3	0	3	145	22,000	3	0	3	147
	347-480V		21,562	3	0	3	144	21,780	3	0	3	145	22,000	3	0	3	147
200W	120-277V	WFL	28,717	4	0	3	144	29,007	4	0	3	145	29,300	4	0	3	147
	347-480V		28,717	4	0	3	144	29,007	4	0	3	145	29,300	4	0	3	147
240W	120-277V	WFL	34,578	4	0	4	144	34,927	4	0	4	146	35,280	4	0	4	147
	347-480V		34,578	4	0	4	144	34,927	4	0	4	146	35,280	4	0	4	147
300W	120-277V	WFL	43,222	5	0	4	144	43,659	5	0	4	146	44,100	5	0	4	147
	347-480V		43,222	5	0	4	144	43,659	5	0	4	146	44,100	5	0	4	147
350W	347-480V	WFL	50,426	5	0	4	144	50,936	5	0	4	146	51,450	5	0	4	147
380W	120-277V	WFL	54,748	5	0	4	144	55,301	5	0	4	146	55,860	5	0	4	147

Due to continuous product improvements, specification and/or equipment updates may change without notice.

EPA OF AREA LIGHT

								
M	70W	0.6299	1.232	1.493	1.259	1.861	2.095	1.861
	100W							
	150W							
	200W							
L	240W	0.8062	1.458	1.842	1.612	2.264	2.494	2.264
	300W							
	350W							
	380W							

ELECTRICAL LOAD

Wattage	Current (A)					
	120V	208V	240V	277V	347V	480V
70W	0.58	0.34	0.29	0.25	0.20	0.15
100W	0.83	0.48	0.42	0.36	0.29	0.21
150W	1.25	0.72	0.63	0.54	0.43	0.31
200W	1.66	0.96	0.83	0.72	0.58	0.42
240W	2.0	1.15	1.0	0.87	0.69	0.50
300W	2.5	1.44	1.25	1.08	0.87	0.63
350W	—	—	—	—	1.01	0.73
380W	3.17	1.83	1.58	1.37	—	—

LUMEN AMBIENT TEMPERATURE (LAT) MULTIPLIERS

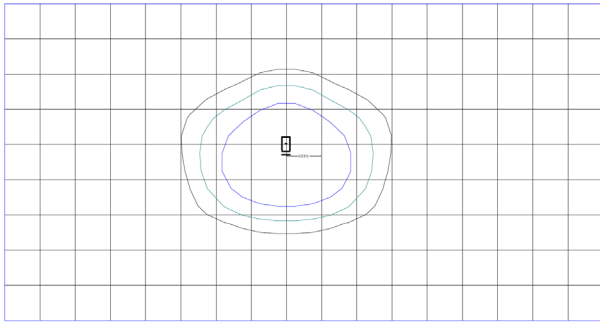
Ambient		Lumen Multiplier
0°C	32°F	1.02
10°C	50°F	1.01
20°C	68°F	1.00
25°C	77°F	1.00
30°C	86°F	0.98
40°C	104°F	0.98

PROJECTED LUMINAIRE MAINTENANCE

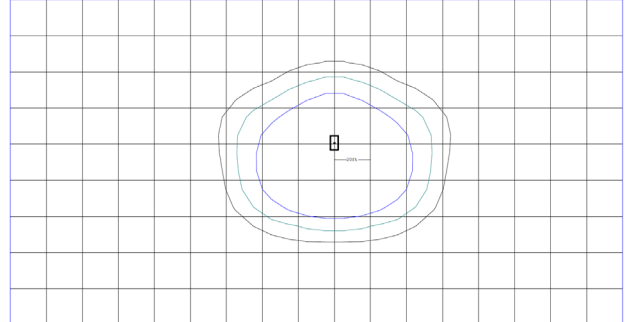
Ambient Temperature	OPERATING HOURS				Calculated L70 (Hours)
	0	25,000	50,000	100,000	
25°C / 77°F	1	0.95	0.91	0.81	>214,973

Due to continuous product improvements, specification and/or equipment updates may change without notice.

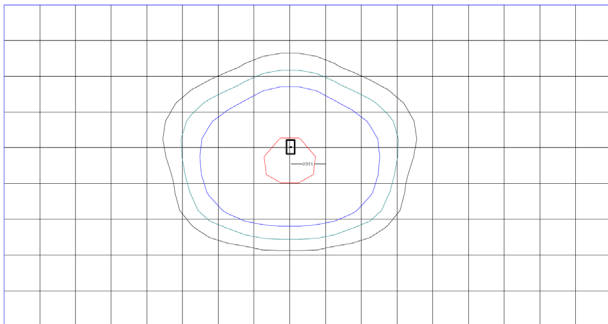
PHOTOMETRIC



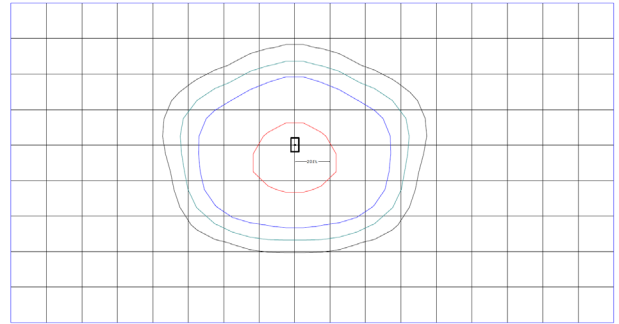
70W
30ft Mounting Height
0° tilt



100W
30ft Mounting Height
0° tilt



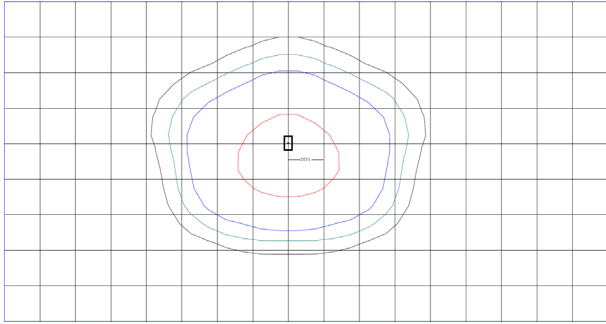
150W
30ft Mounting Height
0° tilt



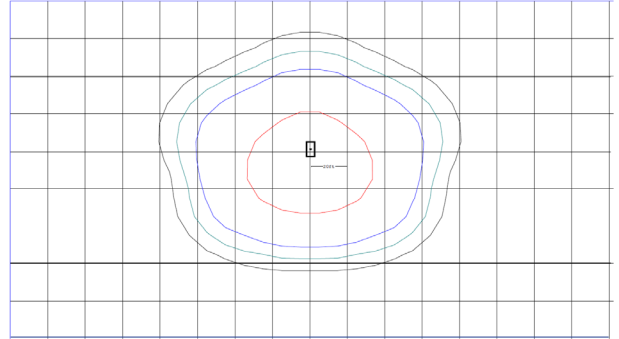
200W
30ft Mounting Height
0° tilt

Due to continuous product improvements, specification and/or equipment updates may change without notice.

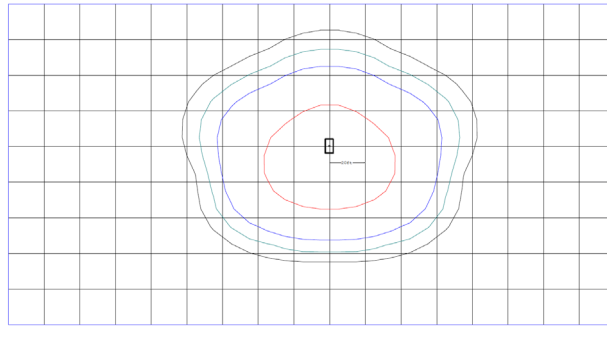
PHOTOMETRIC



240W
30ft Mounting Height
0° tilt



300W
30ft Mounting Height
0° tilt



380W
30ft Mounting Height
0° tilt

Due to continuous product improvements, specification and/or equipment updates may change without notice.