

DRF G1

LED Downlight - Regress Gen 1 **DESIGN XP**

Due to continuous product improvements, specification and/or equipment updates may change without notice.



DRF 3BR

3" Round Baffle Flange

DRF 3BS

3" Square Baffle Flange

DRF 3SR

3" Round Smooth Flange

Selectable CCT Driver

(Images are shown for illustration purposes only)

The punchy DRF LED Regress Downlight Series offers a smooth, pure light with smooth and baffle regress housing options. Less than 3" height this high-end, affordable, and elegant LED downlight delivers a great atmosphere for your customers. Available now with round or square housing.

CATALOGUE

Catalog Number	Description	Lumens	Watts	CCT SELECTABLE	Voltage
DRF 3BR 7 D38 G1 9FSK	3" Round LED Regress Downlight - Baffle - 38° Beam Angle - 90 CRI	650 Lm	9 W	2700K - 5000K	120V
DRF 3BR 10 D38 G1 9FSK	3" Round LED Regress Downlight - Baffle - 38° Beam Angle - 90 CRI	1050 Lm	15 W	2700K - 5000K	120V
DRF 3BS 7 D38 G1 9FSK	3" Square LED Regress Downlight - Baffle - 38° Beam Angle - 90 CRI	650 Lm	9 W	2700K - 5000K	120V
DRF 3BS 10 D38 G1 9FSK	3" Square LED Regress Downlight - Baffle - 38° Beam Angle - 90 CRI	1050 Lm	15 W	2700K - 5000K	120V
DRF 3SR 7 D38 G1 9FSK	3" Round LED Regress Downlight - Smooth - 38° Beam Angle - 90 CRI	650 Lm	9 W	2700K - 5000K	120V
DRF 3SR 10 D38 G1 9FSK	3" Round LED Regress Downlight - Smooth - 38° Beam Angle - 90 CRI	1050 Lm	15 W	2700K - 5000K	120V

ORDERING GUIDE

Luminaire Type	Design	Lumen Output	Optic	Generation	Voltage	Selectable CCT & CRI	Finish	Options- Emergency Backup	Accessories (Ships Separately)
• DRF LED Downlight - Regress	<ul style="list-style-type: none"> • 3BR 3" ROUND Baffle • 3SR 3" ROUND Smooth • 3BS 3" SQUARE Baffle 	<ul style="list-style-type: none"> • 7 650 LUMENS / 9W • 10 1050 LUMENS / 15W 	• D38 38° Beam Angle	• G1 1st Generation	• BLANK 120V	• 9FSK 90 CRI - 2700K/ 3000K/ 3500K/ 4000K/ 5000K	• BLANK Matte white	<ul style="list-style-type: none"> • BLANK No backup. • EMA-DH20T-UNV-110 Emergency backup battery. 	• DE 3/4/6/8/10R HOUSING New Construction Universal Housing.

DRF G1



SPECIFICATIONS

Housing

Polycarbonate (PC) material lens.
Die-casting aluminum housing

Operate Temperature

-25° C to 40° C (-13° F to 104° F).

Electrical

120V - 50/60 Hz

CCT and CRI

2700K, 3000K, 3500K, 4000K, & 5000K - 90 CRI

Lumen Output

650 Lm & 1050 Lm options

Wattage

9W & 15W options

Optics

38° beam angle

Input Voltage

TRIAC/ELV driver 120V

Dimming

10-100%

Mounting

Recessed, Canless

Warranty

5-year limited warranty. Comprehensive warranty terms can be located on www.slgus.com.

Certifications

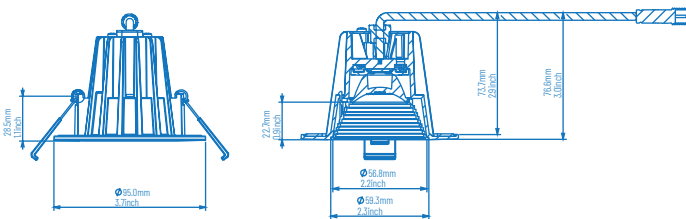
Energy Star pending. ETL listed - Suitable for Wet Locations. FCC compliant. Certified to California T24 JA8 and T20 requirements

PERFORMANCE

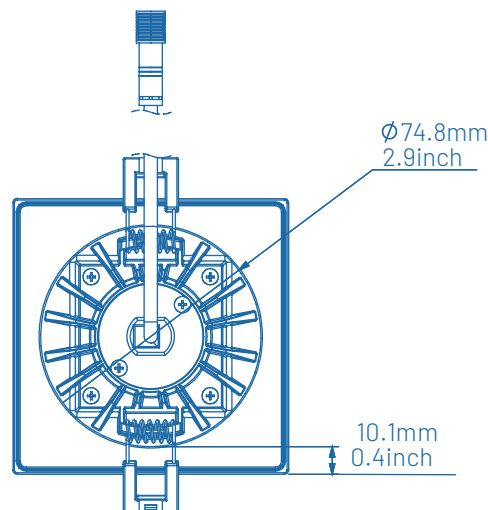
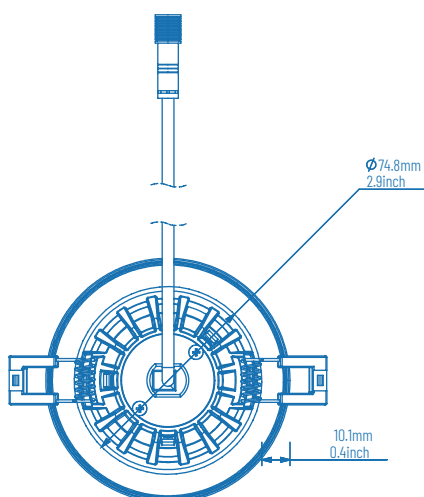
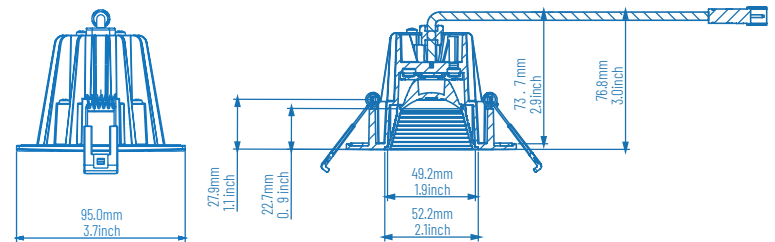
Series Number	Lumens	Wattage	CCT
DRF 4BR/3SR/3BS 7	650 Lm	9 W	2700K/ 3000K/
DRF 4BR/3SR/3BS 10	1,050 Lm	15 W	3500K/ 4000K/ 5000K

DIMENSIONS

3" Round



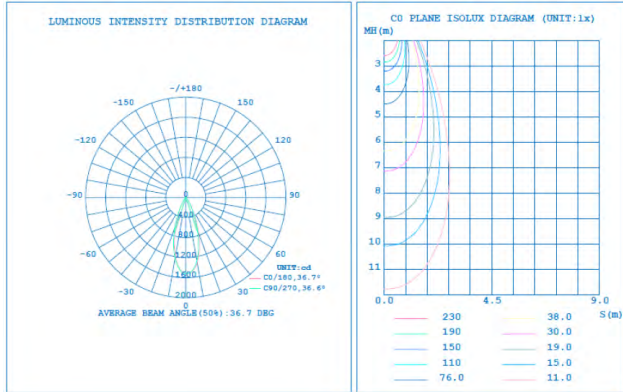
3" Square



OPTICAL DISTRIBUTION

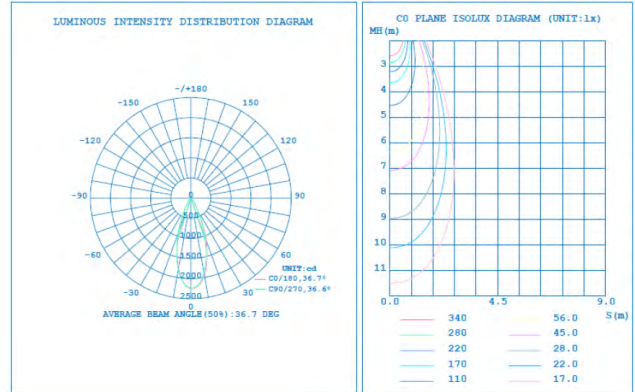
3in Round 9W 120V 2700K CRI90

DATA OF LAMP		PHOTOMETRIC DATA				Eff: 75.59 lm/W
MODEL		I _{max} (cd)	1524	S/MH (C0/180)	0.64	
NOMINAL POWER (W)	9	LOR (%)	100.0	S/MH (C90/270)	0.61	
RATED VOLTAGE (V)	120	TOTAL FLUX (lm)	685.53	η UP, DN (C0-180)	0.5, 52.5	
NOMINAL FLUX (lm)	685.529	CIE CLASS	DIRECT	η UP, DN (C180-360)	0.5, 46.4	
LAMPS INSIDE	1	η up (%)	1.0	CIBSE SHR NOM	0.50	
TEST VOLTAGE (V)	120.7	η down (%)	99.0	CIBSE SHR MAX	0.60	



3in Round 15W 120V 2700K CRI90

DATA OF LAMP		PHOTOMETRIC DATA				Eff: 68.14 lm/W
MODEL		I _{max} (cd)	2252	S/MH (C0/180)	0.64	
NOMINAL POWER (W)	14	LOR (%)	100.0	S/MH (C90/270)	0.61	
RATED VOLTAGE (V)	120	TOTAL FLUX (lm)	1010.1	η UP, DN (C0-180)	0.5, 52.6	
NOMINAL FLUX (lm)	1010.09	CIE CLASS	DIRECT	η UP, DN (C180-360)	0.5, 46.4	
LAMPS INSIDE	1	η up (%)	1.0	CIBSE SHR NOM	0.50	
TEST VOLTAGE (V)	120.7	η down (%)	99.0	CIBSE SHR MAX	0.60	



ACCESSORIES



EMA-DH20T-UNV-110

Specifications

Product Specifications			
Input Voltage	100-277V AC, 50/60Hz	Output Voltage	110V AC
Input Current (Max)	100mA	Warranty	5 Years
Input Power (Max)	7 W	Output Power	20 W
Emergency Time	90 Minutes	Battery Type	Lithium
Charging Time	≥ 24 Hours	Ambient Temp	5°C - 50°C (41°F - 122°F)



DE 3/4/6/8/10R HOUSING

INSTALLATION DIAGRAM

Fig: 1

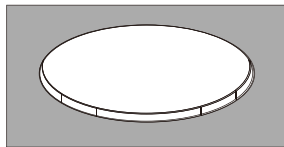


Fig: 2

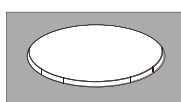


Fig: 3

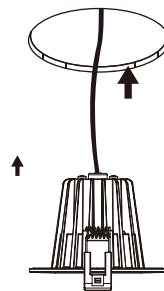


Fig: 4

