

DGR G1

LED Downlight - Gimbal Regress Gen 1 DESIGN XP

Due to continuous product improvements, specification and/or equipment updates may change without notice.



DGR 4R 4" Round

DGR 3R 3" Round

DGR 2R 2" Round

Selectable CCT Driver

(Images are shown for illustration purposes only)

The versatile DGR LED Gimbal Regress Downlight Series offers a regress design downlight with 90 CRI, 5 selectable CCT options, and a true gimbal featuring a full 360° rotation and a 30° tilt. Easy connect, two part driver/housing design makes installation easy for retrofit and/or new construction purposes.

CATALOGUE

Catalog Number	Description	Lumens	Watts	CCT SELECTABLE	Voltage
DGR 2R 4 D38 G19FSK	2" Round LED Regress Gimbal Downlight - 38° Beam Angle - 90 CRI	400 Lm	6 W	2700K - 5000K	120V
DGR 2R 4 D20 G19FSK	2" Round LED Regress Gimbal Downlight - 20° Beam Angle - 90 CRI	400 Lm	6 W	2700K - 5000K	120V
DGR 3R 6 D38 G19FSK	3" Round LED Regress Gimbal Downlight - 38° Beam Angle - 90 CRI	600 Lm	9 W	2700K - 5000K	120V
DGR 4R 10 D38 G19FS	4" Round LED Regress Gimbal Downlight - 38° Beam Angle - 90 CRI	1050 Lm	15 W	2700K - 5000K	120V

ORDERING GUIDE

Luminaire Type	Size	Lumen Output	Optic	Generation	Voltage	Selectable CCT & CRI	Finish	Options - Emergency Backup	Accessories (Ship Separately)
• DGR LED Downlight - Regress Gimbal	• 2R 2" ROUND	• 4 400 LUMENS / 6W	• D20 20° Beam Angle • D38 38° Beam Angle	• G1 1st Generation	• BLANK 120V	• 9FSK 90 CRI - 2700K/ 3000K/ 3500K/ 4000K/ 5000K	• BLANK MATTE WHITE	• BLANK No backup. • EMA-DH20T-UNV-110 Emergency backup battery.	• BLANK No accessories. • DE 3/4/6/8/10R HOUSING New Construction Universal Housing. • DT GR 4R W 4" Goof Ring for 4" Downlight Only.
	• 3R 3" ROUND	• 6 600 LUMENS / 9W	• D38 38° Beam Angle						
	• 4R 4" ROUND	• 10 1,050 LUMENS / 15W							

DGR G1



SPECIFICATIONS

Housing

Polycarbonate (PC) material lens

Rotation & Tilt

360° Rotation - 30° Tilt

Operate Temperature

-25° C to 40° C (-13° F to 104° F).

Electrical

50/60 Hz

CCT and CRI

2700K, 3000K, 3500K, 4000K, & 5000K - 90 CRI

Lumen Output

400 Lm, 600 Lm, & 1000 Lm options

Wattage

6W, 9W, & 15W options

Optics

20° or 38° beam angle

Input Voltage

TRIAC/ELV driver 120V

Dimming

10-100%

Mounting

Recessed, Canless

Warranty

5-year limited warranty. Comprehensive warranty terms can be located on www.slgus.com.

Certifications

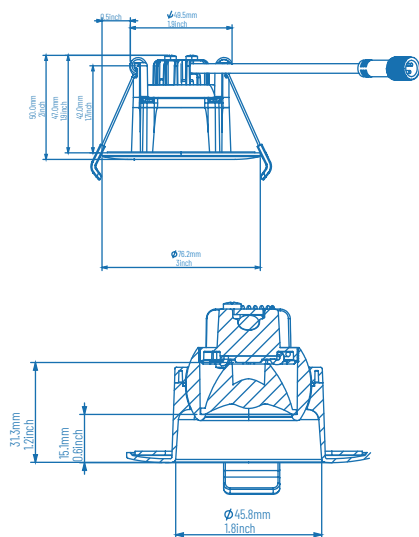
Energy Star pending. ETL listed - Suitable for Wet Locations. FCC compliant. Certified to California T24 JA8 and T20 requirements

PERFORMANCE

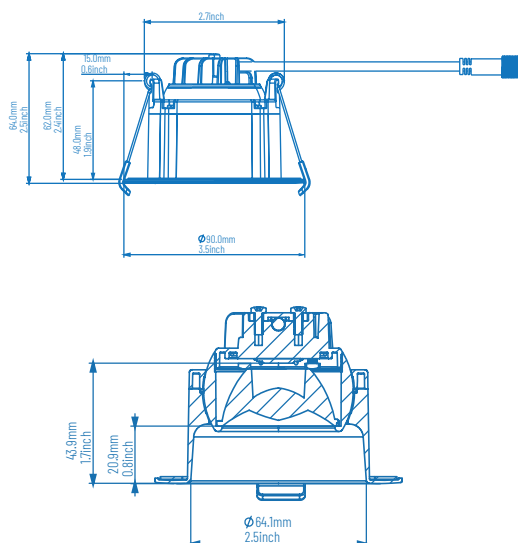
Series Number	Lumens	Wattage	CCT
DGD 2R 4	400 Lm	6 W	2700K/ 3000K/ 3500K/ 4000K/ 5000K
DGD 3R 6	600 Lm	9 W	
DGD 4R 10	1050 Lm	15 W	

DIMENSIONS

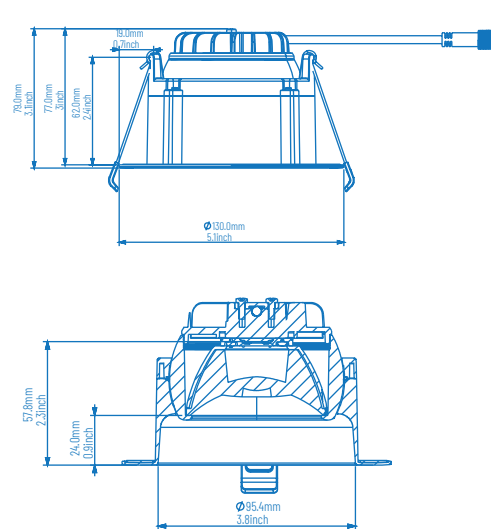
DGR 2R 2" Direct Gimbal



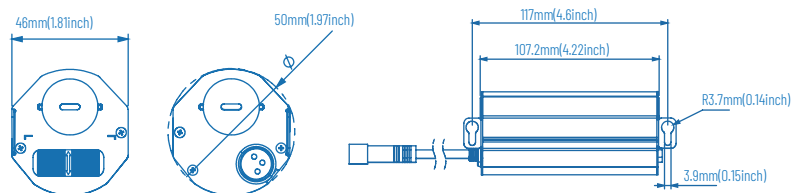
DGR 3R 3" Direct Gimbal



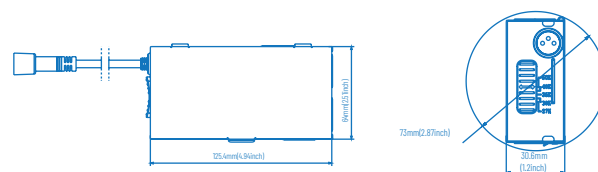
DGR 4R 4" Direct Gimbal



2in Gimbal J-BOX



3 in & 4in Gimbal J-BOX



OPTICAL DISTRIBUTION

2in Round 6W 120V 2700K CRI90

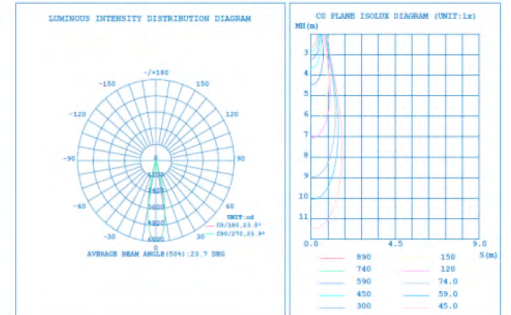
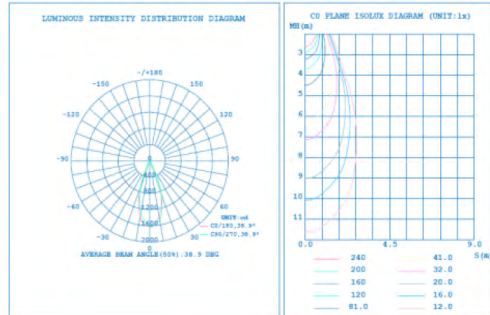
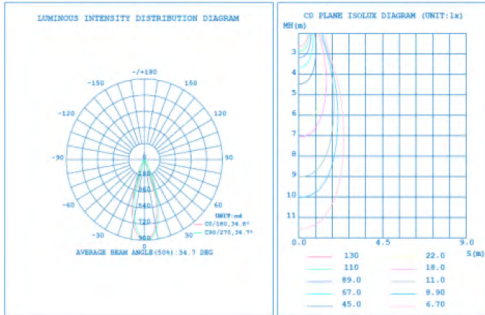
3in Round 9W 120V 2700K CRI90

4in Round 15W 120V 2700K CRI90

DATA OF LAMP		PHOTOMETRIC DATA REF: 68.89 lm/W			
MODEL		I _{max} (cd)	894.1	S/MI (CD/180)	0.58
NOMINAL POWER (W)	5	LOB (°)	100.0	S/MI (C90/270)	0.62
RATED VOLTAGE (V)	120	TOTAL FLUX (lm)	374.57	η UP, DN (CD-180)	0.5, 54.7
NOMINAL FLUX (lm)	374.575	CIE CLASS	DIRECT	η UP, DN (C180-360)	0.5, 44.3
LAMPS INSIDE	1	η up (%)	1.0	CIBSE SHR NOM	0.50
TEST VOLTAGE (V)	120.7	η down (%)	99.0	CIBSE SHR MAX	0.60

DATA OF LAMP		PHOTOMETRIC DATA REF: 86.47 lm/W			
MODEL		I _{max} (cd)	1624	S/MI (CD/180)	0.64
NOMINAL POWER (W)	9	LOB (°)	100.0	S/MI (C90/270)	0.64
RATED VOLTAGE (V)	120	TOTAL FLUX (lm)	734.22	η UP, DN (CD-180)	0.5, 53.8
NOMINAL FLUX (lm)	734.218	CIE CLASS	DIRECT	η UP, DN (C180-360)	0.5, 45.2
LAMPS INSIDE	1	η up (%)	1.0	CIBSE SHR NOM	0.50
TEST VOLTAGE (V)	120.7	η down (%)	99.0	CIBSE SHR MAX	0.65

DATA OF LAMP		PHOTOMETRIC DATA REF: 76.90 lm/W			
MODEL		I _{max} (cd)	5950	S/MI (CD/180)	0.38
NOMINAL POWER (W)	14	LOB (°)	100.0	S/MI (C90/270)	0.41
RATED VOLTAGE (V)	120	TOTAL FLUX (lm)	1138.7	η UP, DN (CD-180)	0.5, 53.8
NOMINAL FLUX (lm)	1138.7	CIE CLASS	DIRECT	η UP, DN (C180-360)	0.5, 45.1
LAMPS INSIDE	1	η up (%)	1.1	CIBSE SHR NOM	0.00
TEST VOLTAGE (V)	120.7	η down (%)	98.9	CIBSE SHR MAX	1.00



ACCESSORIES



EMA-DH20T-UNV-110

Product Specifications			
Input Voltage	100-277V AC, 50/60Hz	Output Voltage	110V AC
Input Current (Max)	100mA	Warranty	5 Years
Input Power (Max)	7 W	Output Power	20 W
Emergency Time	90 Minutes	Battery Type	Lithium
Charging Time	≥ 24 Hours	Ambient Temp	5°C - 50°C (41°F - 122°F)



NEW CONSTRUCTION PLAT KITS



DT GR 4R W

INSTALLATION DIAGRAM

Fig: 1

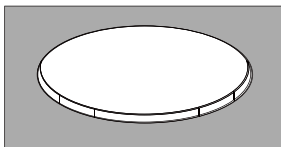


Fig: 2

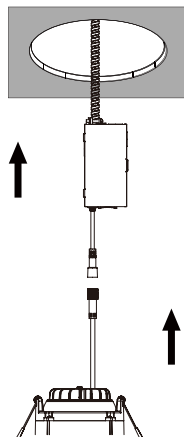


Fig: 3

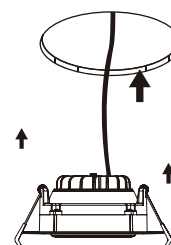


Fig: 4

