

PROJECT: \_\_\_\_\_  
 CATALOG #: \_\_\_\_\_  
 FIXTURE TYPE: \_\_\_\_\_  
 NOTES: \_\_\_\_\_

# AL Area Light Generation 1

ALS Small



Images are shown for illustration purposes only.



## PERFORMANCE INFORMATION

SERIES NUMBER	WATT	LUMENS	DIST	CCT
ALS 90 T3 G1 5K	70W	9,000	Type III	5000K

The **AL Series Area Light Gen 1** with a lumen output of 9,000 lumens. This versatile luminaire has different mounting options, photocell, and motion sensors for efficiency and greater energy savings.

### APPLICATIONS

Auto Dealerships, Parking Lots, Walkways, Roadways, and other Public Areas, etc.

### REPLACEMENT

ALS: 175W- 250W MH

## MOUNTING & OPTIONS



ORDERING GUIDE								EXAMPLE: ALS 90 T3 G1 5K
Luminaire Type	Lumen Output	Dist. Type	Generation	Voltage	CCT	Finish	Mount	Options
<b>ALS</b> Area Light Small	<b>90</b> 9,000 Lumens 70W	<b>T3</b> Type III <b>T4</b> Type IV <b>T5</b> Type V	<b>G1</b>	<b>BLANK</b> 120-277V  <b>HVU</b> 347-480V	<b>4K</b> 4000K <b>5K</b> 5000K	<b>BLANK</b> Dark Bronze <b>C=</b> Custom*	<b>AL-SPAR</b> Square and Round Pole Mount <b>AL-WM</b> Wall Mount <b>AL-SFD</b> Slipfitter Mount <b>AL-SFD-P1</b> Slipfitter Mount with PC-1 (Photocell 120V-277V) <b>AL-T</b> Trunnion Mount	<b>PC-1</b> Twist-lock Photocell (120-277V) <b>PC-2</b> Twist-lock Photocell (480V) <b>PC-3</b> 7-Pin receptacle <b>MS-FSP-211</b> Motion Sensor 120-277V (Choose 1) <b>L3</b> 2x Lens (Max 20ft Mounting Height) <b>L7</b> 2.5x Lens (Max 40ft Mounting Height) <b>MS-FSP-221B</b> Motion Sensor 347-480V† (Choose 1) <b>L3</b> 2x Lens (Max 20ft Mounting Height) <b>L7</b> 2.5x Lens (Max 40ft Mounting Height) <b>MS-FSIR-100</b> Wireless Commissioning Tool <b>MS-LPS-202-L3</b> PIR Motion Sensor with 360° L3 Lens, Max 40ft mounting height

\*For a custom color, please call to place your order  
 † Requires 1 MS-FSIR-100 per job site

Due to continuous product improvements, specification and/or equipment updates may change without notice.

## SPECIFICATIONS

### HOUSING

One piece die-cast aluminum housing with anti-corrosive paint.

### AMBIENT TEMPERATURE

Suitable for use in -40°C to 45°C (-40°F to 113°F)

### MOUNTING

Mounting options include Square and Round Pole Mount, Wall Mount, Adjustable Slipfitter Mount, Trunnion Mount. Photocell is mounted to the Square and Round Pole Mount, Wall Mount, and Slipfitter Mount by default.

### EFFICACY

Up to 133 lumen's per watt (see individual wattage data)

### CCT AND CRI

4000K and 5000K CCT available; 70CRI

### OPTICS

Precision molded secondary optics produce superior uniformity, minimal light trespass and maximum pole spacing. Optics sealed to LED package for IP66 protection.

### WARRANTY

10-year limited warranty. Comprehensive warranty terms can be located on [www.slgus.com](http://www.slgus.com).

### ELECTRICAL

Standard 120-277V. HVU 347V/480V. 50/60Hz with open/short circuit protection. Standard 1.5ft power cord, 18 gauge with 3 conductors. 10K Surge protector per ANSI/IEEE C62.41.2. Dimming 0-10V. NEMA twist-lock photocell control.

### ENERGY DATA

Constant current driver efficiency above 90%.

### FINISH

Polyester Powder Dark Bronze finish. Custom colors available. Multiple stage process to produce 3 mil thickness for superior corrosion resistance and maximum durability.

### CERTIFICATIONS

UL Listed for wet locations. Equivalent to IP66 rating. FCC compliant. RoHs compliant. Please visit [www.slgus.com](http://www.slgus.com) to confirm additional certifications.

## MOUNTING



AL-SPAR  
(Optional Photocell)



AL-WM  
(Optional Photocell)



AL-SFD  
(Optional Photocell)



AL-T

## OPTIONS



MS-FSP-211  
Dimmable Motion Sensor



MS-FSP-L3/L7  
Lens

The **MS-FSP-211** provides multi-level control base on motion and daylight level. Requires L3 or L7 lens depending the mounting height.

Operation Voltage	Shape	Adjustable Time Delay	Fade Down Time	Operating Temperature	Mounting Height For MS-FSP-L3	Mounting Height For MS-FSP-L7
120/277V	Cone	30 sec - 30 min	0-10 sec	-40°F to 158°F	20 ft*	40 ft**

\* Covers a 40 ft diameter when mounting height is 20 ft. Coverage is equal to 2x the height.

\*\* Covers a 100 ft diameter when mounting height is 40 ft. Coverage is equal to 2.5x the height.

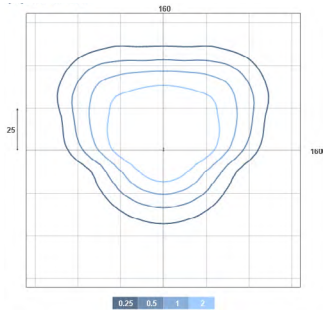
Due to continuous product improvements, specification and/or equipment updates may change without notice.

## PHOTOMETRIC

### Type III

Type III optics produce an asymmetrical pattern that directs the majority of the light forward and equally on both sides of the luminaire. In a back-to-back configuration, it creates a rectangular pattern which can extend pole spacings.

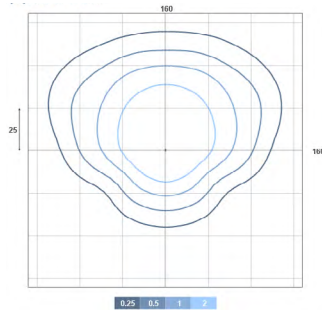
ALM 195 T3 G2 4K



### Type IV

Type IV is suitable for applications where light is primarily required forward with minimal back light. Typical installations include perimeter poles.

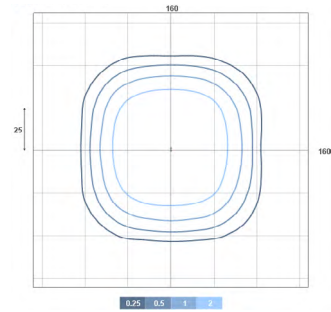
ALM 195 T4 G2 4K



### Type V

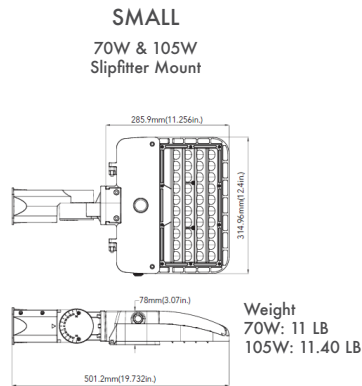
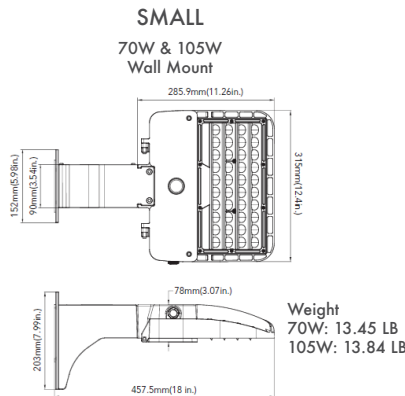
Type V optics produce a symmetrical square distribution pattern that distributes light equally on all sides of the luminaire. Type V luminaires is universal for most area lighting applications.

ALM 195 T5 G2 4K



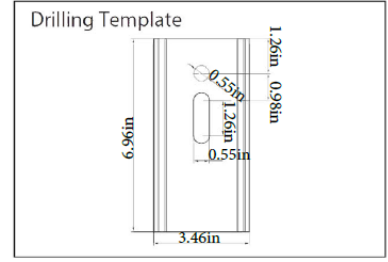
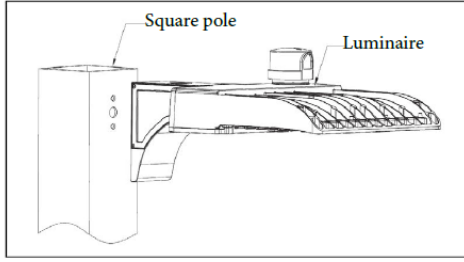
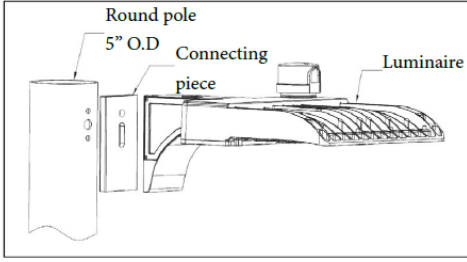
<b>Mounting Height</b>	15	20	25	30	35
<b>Multiplier</b>	2.8	1.6	1.0	0.7	0.5

## DIMENSIONS

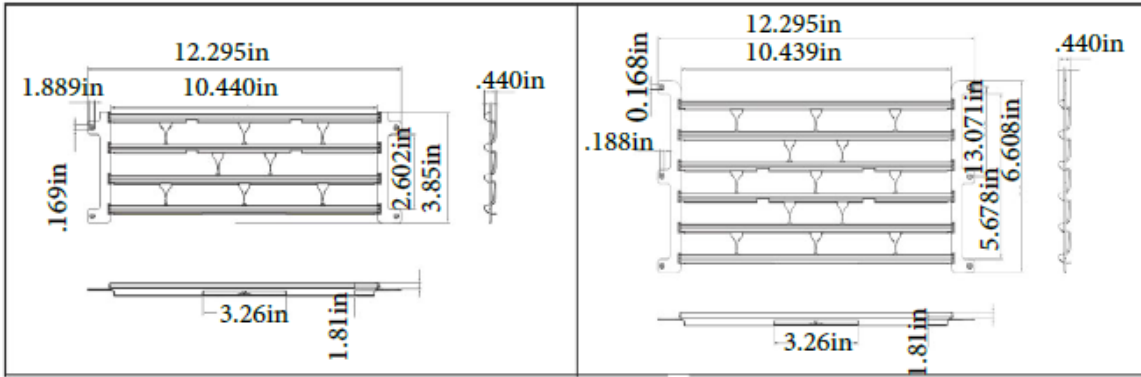


Due to continuous product improvements, specification and/or equipment updates may change without notice.

### MOUNTING DIMENSIONS



### BACKLIGHT CONTROL OPTIONS



### EPA OF AREA LIGHT

<b>S</b>	ALS 90	70W	0.626	0.705	0.971	0.981	0.982	0.975	0.982

### PERFORMANCE INFORMATION

Series Number	Wattage	5000K CCT					4000K CCT			
		Lumen	Dist Type	B	U	G	Lumen	B	U	G
ALS 90 T3 G1 5K	70W	9,000 Lm	Type III	2	0	2	9,000 Lm	2	0	2
		8,670 Lm	Type IV	2	0	2	8,750 Lm	2	0	2
		9,479 Lm	Type V	3	0	1	9,777 Lm	3	0	1

Due to continuous product improvements, specification and/or equipment updates may change without notice.

### PERFORMANCE COMPARISON

Product Series	Wattage	Lumen	Efficacy	Replaces	Voltage	Max Mounting Height	DLC
ALS 90	70W	9,000 Lm	129 Lm/W	175W	120-277V	15-20 ft	Standard

### ELECTRICAL LOAD

			Current (A)					
	Series Number	Wattage	120V	208V	240V	277V	347V	480V
ALS	ALS 90 T3 G1 5K	70W	0.58	0.34	0.30	0.25	N/A	N/A

### PROJECTED LUMINAIRE MAINTENANCE

OPERATING HOURS					
Ambient Temperature	0	25,000	50,000	100,000	Calculated L70 (Hours)
25°C / 77°F	1	0.95	0.91	0.81	>214,973

### Lumen Ambient Temperature (LAT) Multipliers

Ambient		Lumen Multiplier
0°C	32°F	1.02
10°C	50°F	1.01
20°C	68°F	1.00
25°C	77°F	1.00
30°C	86°F	0.98
40°C	104°F	0.98

Due to continuous product improvements, specification and/or equipment updates may change without notice.